

ZAXIS 890



HYDRAULIC EXCAVATOR

Model Code: ZX870-5A / ZX870LC-5A / ZX890H-5A / ZX890LCH-5A

Engine Rated Power: 377 kW (506 HP)

Operating Weight ZX870-5A: 80 700 kg

ZX870LC-5A: 82 500 kg

ZX890H-5A: 82 400 kg

ZX890LCH-5A: 84 300 kg

Backhoe Bucket ISO Heaped: 2.9 - 5.0 m³



WALK AROUND

CONTENTS

4-5 More Production with Excellent Performance

- Swift Front Movements with HIOS* IIIB Hydraulics
- In Pursuit of Yielding More Production
- Reduction in Fuel Consumption
- More Fuel Reduction in the ECO mode
- Easy-to-Use Attachments

6-7 High Quality and Durability

- Prestige R&D and Quality Control
- All-New Engine with Enhanced Durability and Reliability
- Rock-Solid, Durable Front Attachment
- Tough Undercarriage on Rough Quarry Sites
- Robust Upperstructure

8-9 No Compromise on Operator Comfort

- Comfortable operating environment
- Comfort-designed operator seat
- Robust cab

10-11 Simplified Maintenance

- Grouped Remote Inspection Points
- Fast Lubrication
- Easy-Access to the Upperstructure
- Large Capacity Fuel Tank

12-13 Hitachi Support Chain

A wide range of after-sales services and support options is available to all our customers.

14-24 Specifications

Higher productivity

The HIOS IIIB hydraulic system achieves higher productivity with better fuel consumption than the conventional ZAXIS model, which helps to reduce costs.

Larger swing power

The increased swing torque makes it easier to dig next to side walls and operate on slopes.

Added durability

With a strengthened boom, arm and H/R cab, the ZAXIS 890 can work for lengthy periods in rugged environments.

Faster movement

The hydraulic system increases the front attachment speed during combined and single operation.



ZAXIS Empower your Vision.

New ZAXIS provides reliable solutions: impressive fuel economy, swift front movements, and easy operation. You'll also find Hitachi technological prowess and expertise, such as the optimized hydraulic system and engine. New ZAXIS features the key benefits of high quality, low fuel consumption, and high durability, all of which serve to ensure low running costs. New ZAXIS, which is empowered by comprehensive evolution, will realize customers' visions and dreams, and pioneer your colorful future.

Expanded leg room

The seat and console can slide further back on the new ZAXIS, providing a more comfortable working environment for the operator. The rightside console has been ergonomically re-designed.

Ultimate comfort

The heated air suspension seat is ideal in cold climates and absorbs vibration during operation minimising operator fatigue.

Easily accessible information

The large multi-function LCD monitor screen is easy to view in bright sunlight or darkness and provides technical data.

Quick and easy service access

The air conditioner condenser can be opened for easy cleaning. Inspection parts are conveniently located.





MORE PRODUCTION WITH EXCELLENT PERFORMANCE

We know that a high level of performance is one of the key factors in your decision to invest in a Hitachi large excavator. To help our customers get the most from their machine, Hitachi engineers have incorporated a range of measures to increase the speed and efficiency of its operation. So you can rely on the ZAXIS 890 to deliver a strong performance every day.



Benefiting from increased speed and greater efficiency



Swift Front Movements with HIOS* IIIB Hydraulics

The HIOS IIIB hydraulic system is designed for efficient use of hydraulic oil pressure in the circuit, by eliminating loss of power and fuel. Swift movements of the front attachment can be achieved by a total control of the boom, arm and bucket regeneration system. This Hitachi technological prowess brings about high performance and fuel economy.

In Pursuit of Yielding More Production

New ZAXIS 890 delivers extra power in excavation and swinging. More specifically, a great swing torque. This boosts productivity in mining operation. The machine powerfully moves the bucket, full of crushed stones, around on mines, and swiftly loads them onto a dump truck. What's more, the power boost mechanism is added to ensure powerful mining.

Reduction in Fuel Consumption**

New ZAXIS is a fuel-thrifty excavator that can reduce fuel consumption compared to the conventional model, thanks to the HIOS IIIB hydraulic system and engine control system, thereby reducing CO₂ emissions.

More Fuel Reduction in the ECO mode

The ECO mode, a new economical mode, can further cut fuel consumption by 10% compared to the PWR mode, without sacrificing digging force by optimal matching of operations.

Easy-to-Use Attachments

The operator can change over valves, adjust extra circuit flow, and check settings from the multifunction monitor next to the operator seat. What's more, 11 jobs, including flow rate setting, can easily be selected by their identified names.

*Human & Intelligent Operating System

**5% decreased compared to the ZX850-3 at P mode

Key features

- Swift Front Movements with HIOS* IIIB Hydraulics
- In Pursuit of Yielding More Production
- Reduction in Fuel Consumption
- More Fuel Reduction in the ECO mode
- Easy-to-Use Attachments

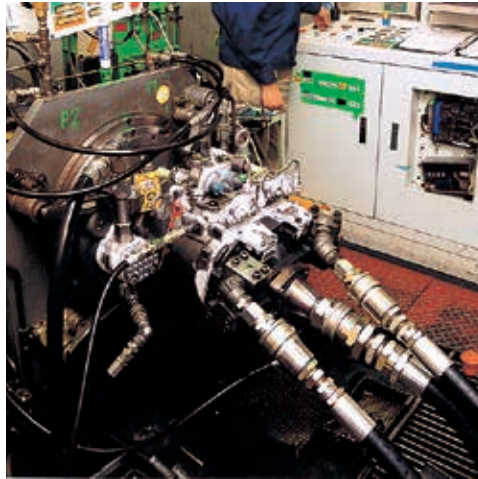


HIGH QUALITY AND DURABILITY

Over the past 40 years, Hitachi has gained an enviable reputation throughout the construction industry for manufacturing high-quality and reliable machines. The new range of Hitachi large excavators continues to build on this reputation, and is supported by the brand's engineering expertise and innovations in advanced technology. The result is an excavator that can cope with the rigours of the most demanding working environments.



Meeting the demands of the toughest job sites



Prestige R&D and Quality Control

Hitachi has earned praise for technological prowess and product performance around the world.

R&D Division has a track record – including excellent design, stress analysis expertise using CAE system, and abundant production data base. What's more, a large-scale durability test field (427 hm²) allows for a series of stringent testing of new machines.

Production Division strives to automatize production processes, including robotic welding, machining, painting, assembling and transferring.

All-New Engine with Enhanced Durability and Reliability

To boost durability and reliability in harsh mining operations, the engine is newly devised, while redesigning its associated systems, such as fuel and coolant lines. This gives an edge in durability. The auto idle stop mechanism is combined to effectively cut fuel consumption and CO₂ emissions.

Rock-Solid, Durable Front Attachment

A very robust and durable boom and arm are adopted for the Front Attachment, allowing it to function optimally at tough job sites such as mines / quarries, where an endless stream of operations is required. The new ZAXIS adopts H-boom and H-arm, using thick plates for high durability. The arm also includes a damage prevention plate and square bars; improving its durability. The arm cylinder, boom cylinders and bucket cylinder for the retract side cushion shocks at the stroke ends to reduce noise and extend the service life.

Tough Undercarriage on Rough Quarry Sites

Tracks are rugged enough to move around on uneven quarry site, with power and stability.

Idler brackets are of box-section structure, and strengthened with reinforcing plates to withstand high stresses and resist deformation. The two-step ladders on the side allow easy access to the cab and riding on the machine.

Robust Upperstructure

The upperstructure is reinforced with proven D-section skirt for protection against obstacles, reducing deformation. A large door catch is provided to reduce shocks and jolts from the cab and upperstructure.

Key features

- Prestige R&D and Quality Control
- All-New Engine with Enhanced Durability and Reliability
- Rock-Solid, Durable Front Attachment
- Tough Undercarriage on Rough Quarry Sites
- Robust Upperstructure



NO COMPROMISE ON OPERATOR COMFORT

With all-round visibility and a range of easy to use features, the new ZAXIS 890 provides an extremely safe and comfortable working environment. The attention to detail given to the ergonomic design is clear as soon as you step inside the cab, with user-friendly controls within easy reach. And the enhanced view from the operator's seat guarantees greater awareness and safety for you and your fellow operators.



A new level in operator comfort and safety



From the comfort of the cab

It's essential for you to feel comfortable while you work, especially if you are operating an excavator for lengthy periods of time in a quarry or large-scale construction site. Hitachi has reviewed the ergonomic design of its ZAXIS excavator cab to ensure that you can complete your shift with ease and enjoy the rest of your day.

The fully adjustable air-suspension seat absorbs vibrations and helps to minimise operator fatigue. Its new sliding mechanism means that it can be moved back further than ever before. More leg room is also available as the space underneath the monitor has been expanded. The pressurized cab keeps dust and particles from entering.

Enhanced visibility

Health and safety are of paramount importance in busy quarries and construction sites. With the latest innovations from Hitachi, the new ZAXIS offers enhanced visibility, particularly on the right-hand side of the machine, to help you avoid any unnecessary damage, and ultimately save you time and money.

The monitor and door have been repositioned, which improves your view and provides easier access to the cab. The excavator is also equipped with the latest rear-view camera, giving you a broader visual range.

User-friendly functionality

The advanced technology that is incorporated within the new ZAXIS is one of its many advantages. The ergonomic controls and the easy to view colour monitor place the power firmly in your hands.

The new multi-function LCD monitor with a seven-inch screen displays a comprehensive range of useful technical information. It allows you to check the machine's status and settings at a glance and has multi-lingual support in up to 32 languages.

For easy operation, the monitor and ergonomically designed switches have been repositioned and are both conveniently located on the right-hand side of the cab.

Enjoy your work

By creating a relaxed and pleasant workspace, our aim was to make your day in the cab of the new ZAXIS more enjoyable and therefore more satisfying.

If you enjoy listening to the radio as you work, you will find that the controls for the AM/FM stereo radio are now fully adjustable from the colour monitor. Alternatively, if you wish to plug in an MP3 player, an auxiliary terminal and MP3 player storage has also been added to the sound system, so that you can work smoothly and efficiently to your favourite music.

Key features

■ Fully adjustable excellent cab

■ Enhanced visibility

■ New colour LCD monitor

■ Auxiliary terminal and MP3 player storage

■ Easily accessible real-time information

■ Expansive leg room

■ Ergonomically designed control panel



SIMPLIFIED MAINTENANCE

Like all new Hitachi large excavators, the ZAXIS 890 has been designed with a range of easily accessible and convenient features to allow for swift routine maintenance and easy cleaning. This is in response to feedback from our customers around the world, who rely on the optimum availability of their Hitachi machines to meet tight schedules and challenging production targets, time and again.



Convenient solutions ensure optimum availability



Grouped Remote Inspection Points

Inspection points are concentrated inside left and right covers that are readily accessible from ground level for convenient servicing and inspection, including water draining from the fuel tank, replenishment of filters. A lid behind the cab door is available for easy replacement of the air conditioner filters for fresh air.

Fast Lubrication

The arm and boom have their own centralized greasing points for fast lubrication. An electric grease gun with hose-reel or an optional auto-grease lubricator is also available for faster greasing / lubrication.

Easy-Access to the Upperstructure

A large sidewalk is provided on the left side of the cab, making it easy to access the engine from the ladder while handrails are provided and sufficient slip-resistant plates for safety.

Large Capacity Fuel Tank

Equipped with a large capacity fuel tank for longer operations.

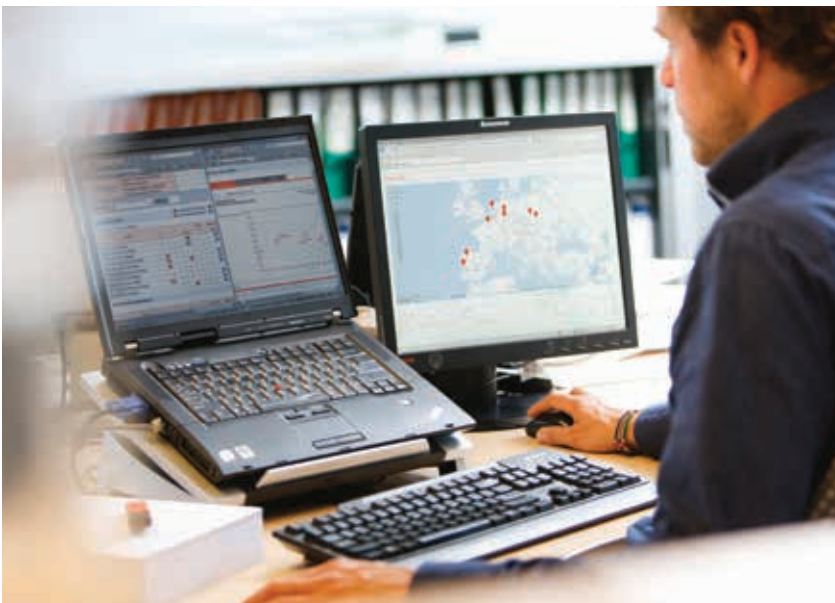
Key features

- Grouped Remote Inspection Points
- Fast Lubrication
- Easy-Access to the Upperstructure
- Large Capacity Fuel Tank



SUPPORT CHAIN

As soon as you become a Hitachi customer, you can rely on first-class after-sales service from your authorised dealer. Hitachi provides extensive support to each of the dealers within the global network, so that they can ensure your ZAXIS 890 continues to meet your requirements and exceed expectations. To further protect your investment in Hitachi construction machinery, we have introduced the Hitachi Support Chain after-sales programme. This gives you the flexibility to create a tailor-made service plan from the following key-areas, "links" in the chain of service available from Hitachi via your local dealer.



Flexible after-sales programme to protect your investment

Global e-Service

The new ZAXIS excavator is equipped with a GPRS communication system*. This sends a wide range of machine data to the Hitachi main server. Via the Global e-Service database, you will have remote access to all of this data. All you need is an internet connection and your Global e-Service log-in details.

Global e-Service enables you and your dealer to download and share this data, helping you to remotely manage your fleet. The online facility also helps your dealer to proactively advise you on preventive maintenance and related special offers.

The latest information on the ZAXIS excavator is available 24/7 and includes operational data, such as the number of working hours, fuel consumption figures, working modes and location. This helps you to reduce running costs, plan jobs efficiently and keep up to date with machine maintenance – to ensure optimum performance and minimal downtime.

Technical support

The professional and highly trained Hitachi service team combine the global expertise and knowledge of Hitachi Construction Machinery with your local language and culture. We take a proactive approach towards customer service by continuously training our dealer personnel, so that the available global knowledge is passed on to each individual technician in our dealer network.

Extended warranty and service contracts

Every new Hitachi model is covered by a full manufacturer's warranty. However, your ZAXIS excavator may require extra protection due to severe working conditions or to minimise equipment repair costs. To meet these demands, our dealers offer the option of a unique extended warranty programme (HELP – Hitachi Extended Life Program) and comprehensive service contracts – the most effective way to optimise the performance of your new ZAXIS excavator.

Parts and Remanufactured Components

Hitachi offers different lines of parts and components to suit your specific needs. In addition to our range of genuine parts, there are other options available:

- If your machines have been working for several years, Hitachi can offer a second line of genuine parts as an attractively priced solution.
- For that highly demanding application or climate, Hitachi provides a line of parts with extra performance.
- When you are looking for an economical solution for preventive replacements, remanufactured components are the best option.

Whatever choice you make, you can be assured of the renowned Hitachi quality and warranty to give you added peace of mind.

Your Hitachi dealer can supply you with more details on each of the above parts lines.



* The GPRS communication system is standard equipment for new ZAXIS excavators, however, the availability of the communication system depends on licensing regulations in your country. Please contact your Hitachi dealer for more information or to apply for a Global e-Service account.

Key features

- Check each of your machines from your office – 24/7
- Have a remote insight into fuel consumption
- Check the current and previous locations and movements of your machine(s)

- See maintenance status and items due for renewal on each of your machines
- Receive e-mail notifications for any machine alerts, unexpected movements and so on

SPECIFICATIONS

ENGINE

Model	Isuzu GH-6WG1XKSA-01
Type	4-cycle water-cooled, direct injection
Aspiration	Turbocharged, intercooled
No. of cylinders	6
Rated power	
ISO 14396	H/P mode: 377 kW (506 HP) at 1 800 min ⁻¹ (rpm)
SAE J1349, net	H/P mode: (Without Fan) 377 kW (506 HP) at 1 800 min ⁻¹ (rpm)
Maximum torque	2 138 Nm (218 kgf m) at 1 500 min ⁻¹ (rpm)
Piston displacement	15.681 L
Bore and stroke	147 mm x 154 mm
Batteries	2 x 12 V / 170 Ah

HYDRAULIC SYSTEM

Hydraulic Pumps

Main pumps	2 variable displacement axial piston pumps
Maximum oil flow	2 x 556 L/min
Pilot pump	1 gear pump
Maximum oil flow	50 L/min

Hydraulic Motors

Travel	2 axial piston motors with parking brake
Swing	2 axial piston motors

Relief Valve Settings

Implement circuit	31.9 MPa (325 kgf/cm ²)
Swing circuit	28.4 MPa (290 kgf/cm ²)
Travel circuit	34.3 MPa (350 kgf/cm ²)
Pilot circuit	3.9 MPa (40 kgf/cm ²)
Power boost	34.3 MPa (350 kgf/cm ²)

Hydraulic Cylinders

	Quantity	Bore	Rod diameter
Boom	2	215 mm	150 mm
Arm	1	225 mm	160 mm
Bucket	1	200 mm	140 mm
Bucket BE	1	215 mm	150 mm

UPPERSTRUCTURE

Revolving Frame

D-section frame for resistance to deformation.

Swing Device

Axial piston motor with planetary reduction gear is bathed in oil. Swing parking brake is spring-set/hydraulic-released disc type.

Swing speed	7.8 min ⁻¹ (rpm)
Swing torque	267 kNm

Operator's Cab

ZAXIS 870 / ZAXIS 870LC:

Independent spacious cab, 1 025 mm wide by 1 675 mm high, The OPG top guard fitted Level I conforms to the related requirements of the International Organization Standardization(ISO)10262.

ZAXIS 890H / ZAXIS 890LCH (H/R cab):

Independent spacious cab, 1 025 mm wide by 1 817 mm high, The OPG top guard fitted Level II conforms to the related requirements of the International Organization Standardization(ISO)10262.

UNDERCARRIAGE

Tracks

Track shoes with double grousers made of induction-hardened rolled alloy. Heat-treated connecting pins with dirt seals. Hydraulic (grease) track adjusters with shock-absorbing recoil springs.

Numbers of Rollers and Shoes on Each Side

Upper rollers	3
Lower rollers	8: ZAXIS 870 / ZAXIS 890H 9: ZAXIS 870LC / ZAXIS 890LCH
Track shoes	47: ZAXIS 870 / ZAXIS 890H 51: ZAXIS 870LC / ZAXIS 890LCH
Idler track guard	1
Track guards	2: ZAXIS 870 / ZAXIS 870LC Full track guard: ZAXIS 890H / ZAXIS 890LCH

Travel Device

Each track driven by axial piston motor through reduction gear for counterrotation of the tracks. Parking brake is spring-set/hydraulic-released disc type.

Automatic transmission system: High-Low.

Travel speeds	High : 0 to 4.7 km/h Low : 0 to 3.2 km/h
---------------------	---

Maximum traction force ... 560 kN (57 100 kgf)

Gradeability

70% (35 degree) continuous

SERVICE REFILL CAPACITIES

Fuel tank	1 110.0 L
Engine coolant	123.0 L
Engine oil	57.0 L
Pump device	6.2 L
Swing device (each side)	15.7 L
Travel device (each side)	19.0 L
Hydraulic system	1 042.0 L
Hydraulic oil tank	500.0 L

WEIGHTS AND GROUND PRESSURE

Operating Weight and Ground Pressure

Shoe type	Shoe width	Boom type	Arm type	ZAXIS 870		ZAXIS 870LC		ZAXIS 890H		ZAXIS 890LCH	
				kg	kPa (kgf/cm ²)	kg	kPa (kgf/cm ²)	kg	kPa (kgf/cm ²)	kg	kPa (kgf/cm ²)
Double	650 mm	8.4 m	4.4 m	80 700	121 (1.23)	82 500	112 (1.14)	–	–	–	–
		Bucket capacity		2.90 m ³		2.90 m ³		–	–	–	–
		8.4 m	3.7 m	80 700	121 (1.23)	82 400	112 (1.14)	–	–	–	–
		Bucket capacity		3.50 m ³		3.50 m ³		–	–	–	–
		8.4 m H	3.7 m H	–	–	–	–	82 400	124 (1.26)	84 300	115 (1.17)
		Bucket capacity		–		–		3.50 m ³ Rock bucket		3.50 m ³ Rock bucket	
		7.1 m BE	3.7 m H	–	–	–	–	81 900	123 (1.25)	83 800	114 (1.16)
		Bucket capacity		–		–		3.70 m ³ Rock bucket		3.70 m ³ Rock bucket	
	7.1 m BE	2.95 m BE	81 500	122 (1.25)	83 200	113 (1.15)	83 200	125 (1.27)	85 100	116 (1.18)	
	Bucket capacity		4.50 m ³		4.50 m ³		4.30 m ³ Rock bucket		5.0 m ³ Rock bucket		
	750 mm	8.4 m	4.4 m	81 400	106 (1.08)	83 200	98 (1.00)	–	–	–	–
		Bucket capacity		2.90 m ³		2.90 m ³		–	–	–	–
		8.4 m	3.7 m	81 300	106 (1.08)	83 200	98 (1.00)	–	–	–	–
		Bucket capacity		3.50 m ³		3.50 m ³		–	–	–	–
	900 mm	7.1 m BE	2.95 m BE	82 100	107 (1.09)	83 900	99 (1.01)	–	–	–	–
		Bucket capacity		4.50 m ³		4.50 m ³		–	–	–	–
		8.4 m	4.4 m	–	–	84 100	83 (0.84)	–	–	–	–
		Bucket capacity		–		2.90 m ³		–	–	–	–
	900 mm	8.4 m	3.7 m	–	–	84 100	83 (0.84)	–	–	–	–
		Bucket capacity		–		3.50 m ³		–	–	–	–
		7.1 m BE	2.95 m BE	–	–	84 900	83 (0.85)	–	–	–	–
Bucket capacity		–		4.50 m ³		–	–	–	–		

BUCKET LIST

ZAXIS 870 / ZAXIS 870LC

Capacity	Width		No. of teeth	Weight	Recommendation		
	Without side cutters	With side cutters			Boom 7.1 m BE	Boom 8.4 m	
ISO heaped	Without side cutters	With side cutters			Arm 2.95 m BE	Arm 3.7 m	Arm 4.4 m
2.90 m ³	1 590 mm	1 780 mm	5	2 700 kg	x	⊙	⊙
3.50 m ³	1 850 mm	2 040 mm	5	2 950 kg	x	⊙	–
4.50 m ³	2 120 mm	2 190 mm	5	3 970 kg	⊙	x	x
Applicable shoe type					650 mm Double grouser		
					750 mm Double grouser		
					900 mm Double grouser : ZAXIS 870LC		

⊙ Suitable for material with density of 1 800 kg / m³ or less

– Not applicable

x Can't be installed

ZAXIS 890H / ZAXIS 890LCH

Capacity	Width		No. of teeth	Weight	Recommendation		
	Without side cutters	With side cutters			Boom 7.1 m BE		Boom 8.4 m H
ISO heaped	Without side cutters	With side cutters			Arm 2.95 m BE	Arm 3.7 m H	Arm 3.7 m H
¹ 3.50 m ³	1 870 mm	1 890 mm	5	3 790 kg	x	●	●
¹ 3.70 m ³	1 950 mm	1 970 mm	5	3 900 kg	x	●	x
¹ 4.30 m ³	2 090 mm	2 110 mm	5	4 270 kg	●	x	x
¹⁻³ 5.00 m ³	2 240 mm	2 260 mm	5	4 660 kg	●	x	x
² 1.90 m ³	–	1 490 mm	3	4 200 kg	x	●	●
² 2.20 m ³	–	1 580 mm	3	4 400 kg	●	x	x
One-point ripper			1	2 680 kg	●	●	●
Applicable shoe type					650 mm Double grouser		

¹ Rock bucket ² Ripper bucket ³ Only LC can install

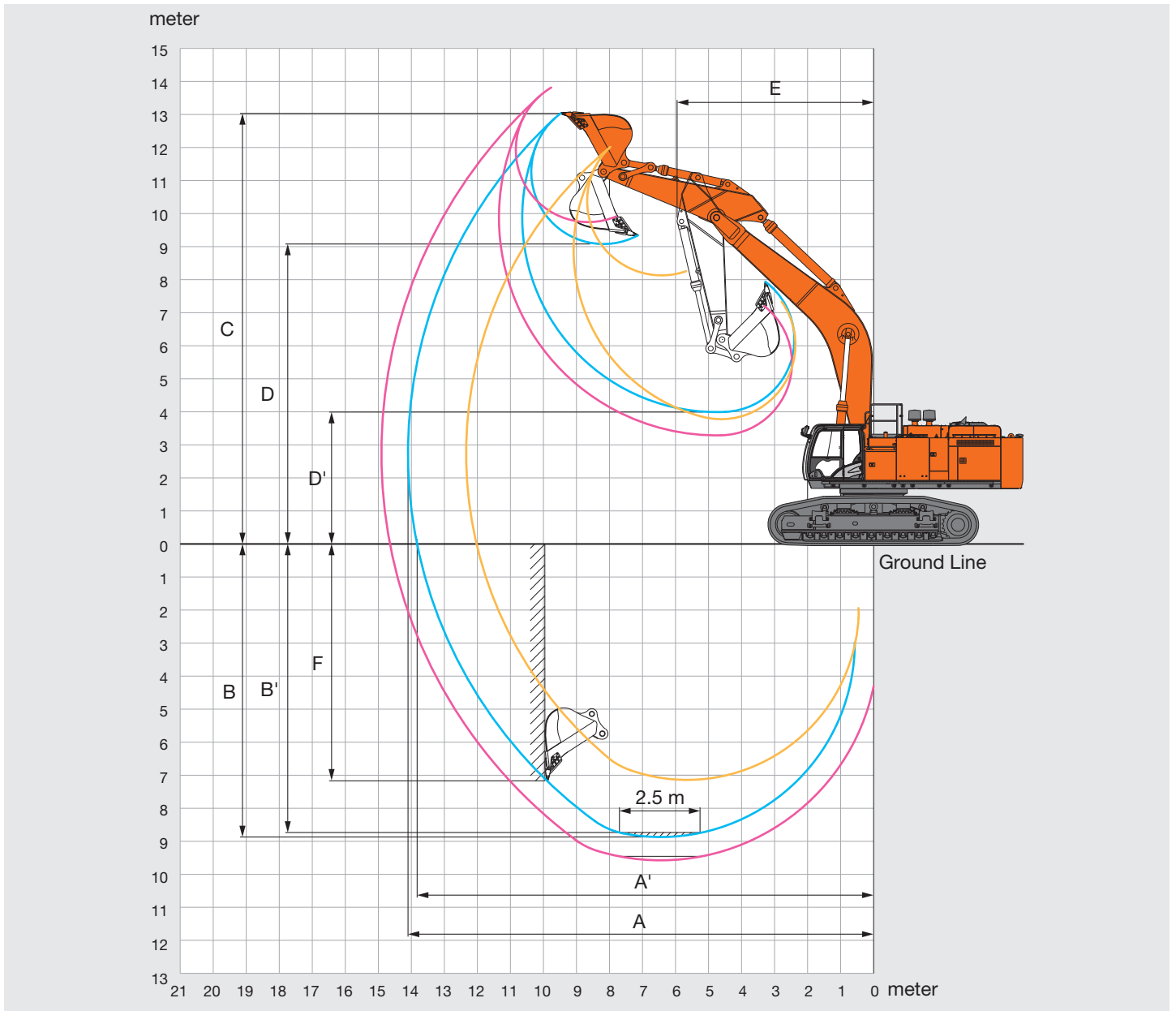
● Heavy-duty service

x Can't be installed

SPECIFICATIONS

WORKING RANGES

ZAXIS 870 / ZAXIS 870LC



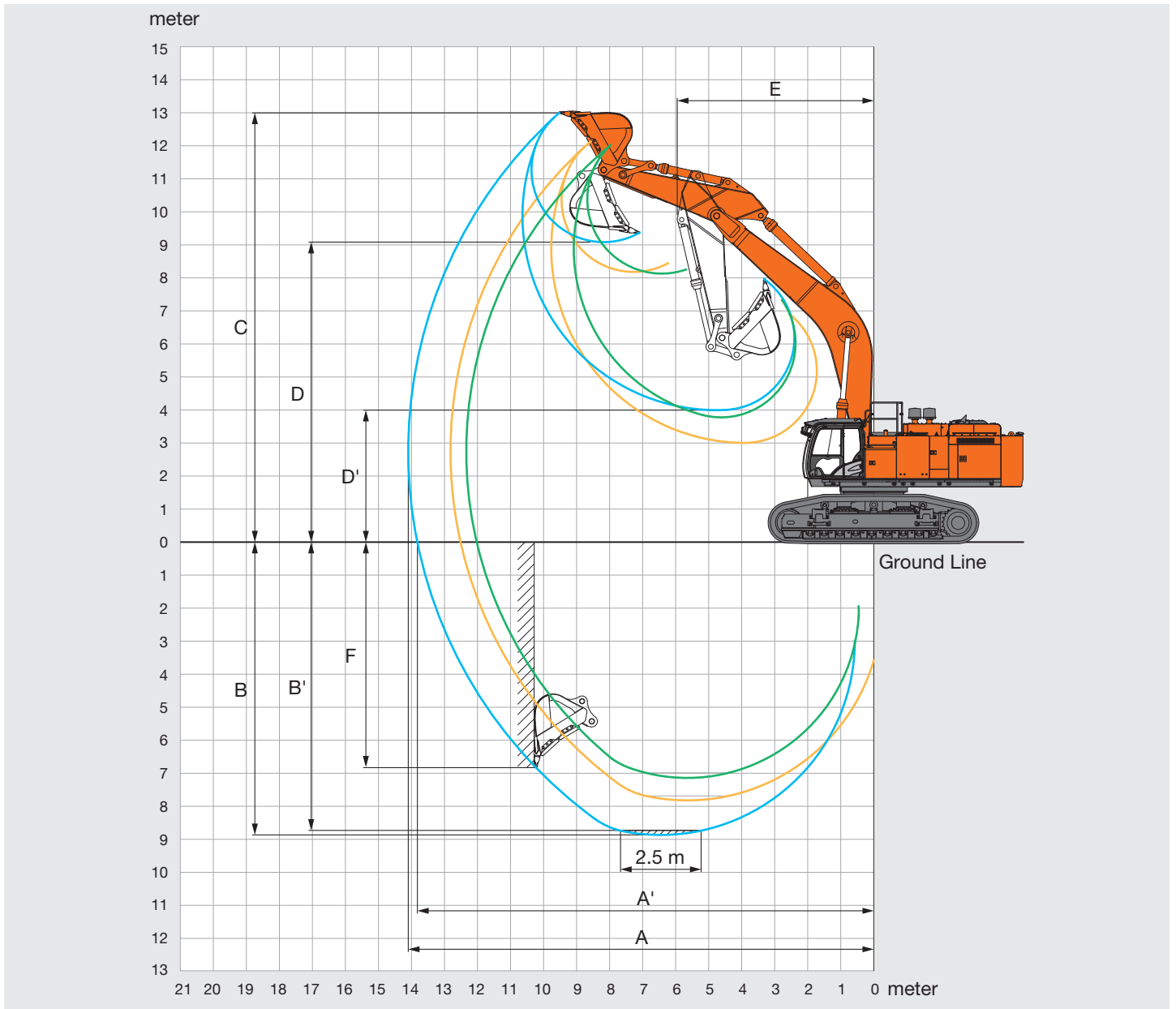
Unit: mm

	ZAXIS 870 / ZAXIS 870LC		
	Boom 7.1 m BE	Boom 8.4 m	
	Arm 2.95 m BE	Arm 3.7 m	Arm 4.4 m
A Max. digging reach	12 340	14 100	14 910
A' Max. digging reach (on ground)	12 020	13 820	14 640
B Max. digging depth	7 140	8 870	9 570
B' Max. digging depth for 2.5 m level	6 990	8 730	9 450
C Max. cutting height	12 010	13 030	13 820
D Max. dumping height	8 130	9 080	9 740
D' Min. dumping height	3 770	3 990	3 290
E Min. swing radius	5 210	5 950	5 950
F Max. vertical wall	4 100	7 170	8 480

Excluding track shoe lug

WORKING RANGES

ZAXIS 890H / ZAXIS 890LCH



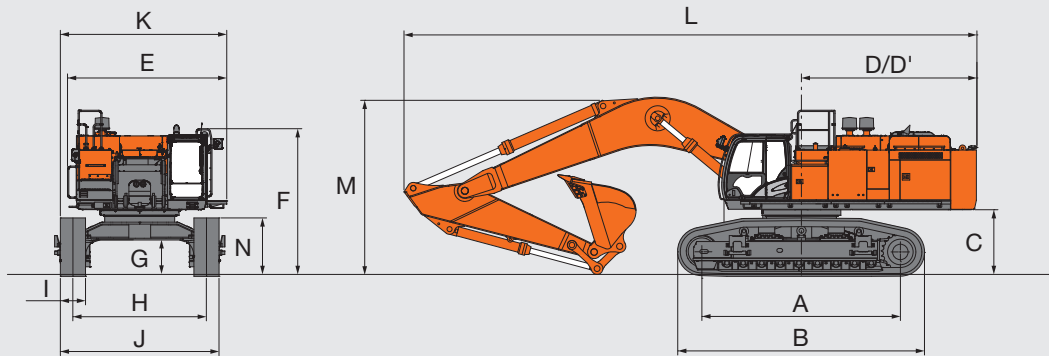
Unit: mm

	ZAXIS 890H / ZAXIS 890LCH		
	Boom 7.1 m BE		Boom 8.4 m H
	Arm 2.95 m BE	Arm 3.7 m H	Arm 3.7 m H
A Max. digging reach	12 340	12 820	14 100
A' Max. digging reach (on ground)	12 020	12 510	13 820
B Max. digging depth	7 140	7 820	8 870
B' Max. digging depth for 2.5 m level	6 990	7 690	8 730
C Max. cutting height	12 010	12 130	13 000
D Max. dumping height	8 130	8 180	9 080
D' Min. dumping height	3 780	3 000	3 990
E Min. swing radius	5 210	5 090	5 950
F Max. vertical wall	4 100	6 090	6 840

Excluding track shoe lug

SPECIFICATIONS

DIMENSIONS



Unit: mm

Retractable gauge	ZAXIS 870	ZAXIS 870LC	ZAXIS 890H	ZAXIS 890LCH
A Distance between tumblers	4 590	5 110	4 590	5 110
B Undercarriage length	5 840	6 360	5 840	6 360
¹ C Counterweight clearance	1 680	1 680	1 680	1 680
D Rear-end swing radius	4 600	4 600	4 600	4 600
D' Rear-end length	4 520	4 520	4 520	4 520
E Overall width upperstructure	4 120	4 120	4 120	4 120
F Overall height of cab	3 690	3 690	3 800	3 800
¹ G Min. ground clearance	890	890	890	890
H Track gauge: Extended / Retracted	3 450 / 2 830	3 450 / 2 830	3 450 / 2 830	3 450 / 2 830
I Track shoe width	650 / 750	650 / 750 / 900	650	650
J Undercarriage width with 650 mm shoe	4 100 / 3 480	4 100 / 3 480	4 100 / 3 480	4 100 / 3 480
: Extended / Retracted with 750 mm shoe	4 200 / 3 580	4 200 / 3 580	–	–
with 900 mm shoe	–	4 350 / 3 730	–	–
K Overall width	4 450	4 450	4 450	4 450
L Overall length	14 800	14 800	14 800	14 800
M Overall height of boom	4 770	4 770	4 770	4 770
N Track height	1 500	1 500	1 500	1 500

¹ Excluding track shoe lug

BUCKET AND ARM DIGGING FORCES

ZAXIS 870 / ZAXIS 870LC

	ZAXIS 870 / ZAXIS 870LC		
	Boom 7.1m BE	Boom 8.4 m	
	Arm 2.95 m BE	Arm 3.7 m	Arm 4.4 m
Bucket digging force* ISO	472 kN (48 200 kgf)	399 kN (40 700 kgf)	399 kN (40 700 kgf)
Bucket digging force*SAE : PCSA	411 kN (41 900 kgf)	359 kN (36 600 kgf)	359 kN (36 600 kgf)
Arm crowd force* ISO	394 kN (40 200 kgf)	323 kN (33 000 kgf)	280 kN (28 600 kgf)
Arm crowd force* SAE : PCSA	378 kN (38 600 kgf)	315 kN (32 100 kgf)	273 kN (27 900 kgf)

* At power boost

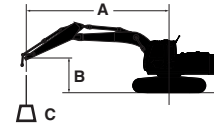
ZAXIS 890H / ZAXIS 890LCH

	ZAXIS 890H / ZAXIS 890LCH		
	Boom 7.1 m BE		Boom 8.4 m H
	Arm 2.95 m BE	Arm 3.7 m H	Arm 3.7 m H
Bucket digging force* ISO	472 kN (48 200 kgf)	402 kN (41 000 kgf)	402 kN (41 000 kgf)
Bucket digging force*SAE : PCSA	411 kN (41 900 kgf)	359 kN (36 600 kgf)	359 kN (36 600 kgf)
Arm crowd force* ISO	394 kN (40 200 kgf)	324 kN (33 100 kgf)	324 kN (33 100 kgf)
Arm crowd force* SAE : PCSA	378 kN (38 600 kgf)	316 kN (32 200 kgf)	316 kN (32 200 kgf)

* At power boost

LIFTING CAPACITIES (Without bucket)

- Notes: 1. Ratings are based on ISO 10567.
 2. Lifting capacity does not exceed 75% of tipping load with the machine on firm, level ground or 87% full hydraulic capacity.
 3. The load point is the center-line of the bucket pivot mounting pin on the arm.
 4. *Indicates load limited by hydraulic capacity.
 5. 0 m = Ground.



A: Load radius
 B: Load point height
 C: Lifting capacity

For lifting capacities, subtract bucket and quick hitch weight from lifting capacities without bucket.

ZAXIS 870LC

Rating over-front Rating over-side or 360 degrees Unit : kg

Conditions	Load point height m	Load radius												At max. reach				
		3.0 m		4.5 m		6.0 m		7.5 m		9.0 m		10.5 m		12 m		meter		
BE-boom 7.1 m BE-arm 2.95 m Without Bucket Shoe 650 mm	7.5							*21 740	*21 740							*18 050	*18 050	8.86
	6.0					*26 940	*26 940	*23 180	*23 180	*21 170	18 110					*17 770	*16 390	9.54
	4.5					*31 120	*31 120	*25 260	23 340	*22 050	17 650					*18 010	15 040	9.94
	3.0					*34 880	30 990	*27 310	22 370	*23 060	17 120					*18 760	14 370	10.1
	1.5					*36 950	29 780	*28 730	21 590	*23 760	16 650					*20 120	14 260	10.0
	0 (Ground)					*37 070	29 150	*29 090	21 080	*23 700	16 330					*21 480	14 730	9.70
	-1.5			*45 130	*45 130	*35 420	28 950	*28 050	20 870	*22 150	16 260					*21 600	15 980	9.12
	-3.0	*44 700	*44 700	*39 960	*39 960	*31 730	29 110	*24 860	21 000							*21 310	18 570	8.23
-4.5			*31 130	*31 130	*24 510	*24 510									*19 770	*19 770	6.88	
Boom 8.4 m Arm 3.7 m Without Bucket Shoe 650 mm	9.0									*16 340	*16 340					*13 300	*13 300	10.1
	7.5									*17 010	*17 010	*16 210	14 330			*13 130	*13 130	10.9
	6.0					*25 130	*25 130	*20 740	*20 740	*18 240	17 950	*16 730	14 060			*13 270	12 150	11.5
	4.5					*29 920	*29 920	*23 320	22 600	*19 720	17 280	*17 540	13 680			*13 680	11 370	11.8
	3.0					*33 850	29 410	*25 690	21 520	*21 180	16 630	*18 400	13 290			*14 400	10 960	11.9
	1.5					*30 830	28 360	*27 380	20 720	*22 340	16 090	*19 090	12 940			*15 500	10 870	11.8
	0 (Ground)					*35 300	27 940	*28 150	20 240	*22 970	15 720	19 080	12 700			16 580	11 090	11.6
	-1.5			*23 290	*23 290	*35 100	27 860	*27 960	20 040	*22 910	15 530	18 970	12 600			17 550	11 700	11.1
-3.0	*25 580	*25 580	*35 850	*35 850	*33 110	28 020	*26 770	20 070	*21 940	15 550					*18 080	12 870	10.4	
-4.5			*36 700	*36 700	*29 800	28 420	*24 260	20 340	*19 460	15 820					*18 220	15 030	9.37	
-6.0			*29 690	*29 690	*24 400	*24 400	*19 340	*19 340							*17 730	*17 730	7.93	
Boom 8.4 m Arm 3.4 m Without Bucket Shoe 650 mm	9.0											*13 300	*13 300			*10 030	*10 030	11.0
	7.5									*15 670	*15 670	*14 960	14 510			*9 810	*9 810	11.8
	6.0							*19 070	*19 070	*16 970	*16 970	*15 650	14 160	*12 410	11 270	*9 800	*9 800	12.3
	4.5					*27 330	*27 330	*21 720	*21 720	*18 550	17 410	*16 580	13 730	*15 170	11 060	*9 970	*9 970	12.6
	3.0					*31 700	29 910	*24 310	21 710	*20 160	16 680	*17 570	13 280	*15 860	10 800	*10 340	9 820	12.7
	1.5					*34 310	28 480	*26 340	20 760	*21 520	16 060	*18 430	12 870	15 780	10 550	*11 930	9 730	12.7
	0 (Ground)					*34 160	27 750	*27 540	20 120	*22 420	15 590	18 940	12 550	15 590	10 380	*11 800	9 900	12.4
	-1.5			*20 570	*20 570	*35 390	27 470	*27 820	19 780	*22 710	15 310	18 740	12 370			*13 100	10 360	12.0
-3.0	*20 740	*20 740	*29 870	*29 870	*34 010	27 500	*27 130	19 710	*22 210	15 230	*18 410	12 350			*15 100	11 240	11.3	
-4.5	*30 340	*30 340	*39 830	*39 830	*31 400	27 800	*25 310	19 870	*20 600	15 370					*16 540	12 780	10.4	
-6.0			*29 690	*29 690	*24 400	*24 400	*19 340	*19 340							*16 290	15 640	9.11	

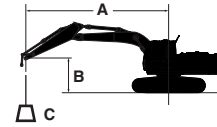
ZAXIS 870

Rating over-front Rating over-side or 360 degrees Unit : kg

Conditions	Load point height m	Load radius												At max. reach				
		3.0 m		4.5 m		6.0 m		7.5 m		9.0 m		10.5 m		12 m		meter		
Boom 8.4 m Arm 3.7 m Without Bucket Shoe 650 mm	9.0									*16 340	*16 340					*13 300	*13 300	10.1
	7.5									*17 010	*17 010	*16 210	14 040			*13 130	*13 130	10.9
	6.0					*25 130	*25 130	*20 740	*20 740	*18 240	17 610	*16 730	13 770			*13 270	11 900	11.5
	4.5					*29 920	*29 920	*23 320	22 160	*19 720	16 940	17 300	13 400			*13 680	11 130	11.8
	3.0					*33 850	28 820	*25 690	21 090	*21 180	16 290	16 880	13 000			13 930	10 720	11.9
	1.5					*30 830	27 770	*27 010	20 290	*20 670	15 750	16 520	12 660			13 850	10 620	11.8
	0 (Ground)					*35 300	27 350	*26 490	19 810	*20 280	15 380	16 270	12 420			14 170	10 840	11.6
	-1.5			*23 290	*23 290	*35 100	27 270	26 270	19 600	*20 080	15 190	16 160	12 310			14 970	11 440	11.1
-3.0	*25 580	*25 580	*35 850	*35 850	*33 110	27 430	26 300	19 630	20 090	15 210					16 500	12 590	10.4	
-4.5			*36 700	*36 700	*29 800	27 830	*24 260	19 910	*19 460	15 480					*18 220	14 710	9.37	
-6.0			*29 690	*29 690	*24 400	*24 400	*19 340	*19 340							*17 730	*17 730	7.93	

LIFTING CAPACITIES (Without bucket)

- Notes:
1. Ratings are based on ISO 10567.
 2. Lifting capacity does not exceed 75% of tipping load with the machine on firm, level ground or 87% full hydraulic capacity.
 3. The load point is the center-line of the bucket pivot mounting pin on the arm.
 4. *Indicates load limited by hydraulic capacity.
 5. 0 m = Ground.



A: Load radius
B: Load point height
C: Lifting capacity

For lifting capacities, subtract bucket and quick hitch weight from lifting capacities without bucket.

ZAXIS 890LCH

Rating over-front Rating over-side or 360 degrees Unit : kg

Conditions	Load point height m	Load radius														At max. reach				
		3.0 m		4.5 m		6.0 m		7.5 m		9.0 m		10.5 m		12 m		meter				
BE-boom 7.1 m BE-arm 2.95 m Without Bucket Shoe 650 mm	7.5							*21 740	*21 740									*18 050	*18 050	8.86
	6.0					*26 940	*26 940	*23 180	*23 180	*21 170	18 290							*17 770	16 560	9.54
	4.5					*31 120	*31 120	*25 260	23 560	*22 050	17 830							*18 010	15 200	9.94
	3.0					*34 880	31 300	*27 310	22 600	*23 060	17 290							*18 760	14 530	10.1
	1.5					*36 950	30 090	*28 730	21 820	*23 760	16 820							*20 120	14 420	10.0
	0 (Ground)					*37 070	29 450	*29 090	21 310	*23 700	16 510							*21 480	14 900	9.70
	-1.5			*45 130	*45 130	*35 420	29 260	*28 050	21 100	*22 150	16 440							*21 600	16 150	9.12
	-3.0	*44 700	*44 700	*39 960	*39 960	*31 730	29 420	*24 860	21 230									*21 310	18 770	8.23
-4.5			*31 130	*31 130	*24 510	*24 510											*19 770	*19 770	6.88	
BE-boom 7.1 m H-arm 3.7 m Without Bucket Shoe 650 mm	7.5							*19 990	*19 990	*16 140	*16 140							*11 750	*11 750	9.47
	6.0							*21 680	*21 680	*19 930	18 820							*11 740	*11 740	10.1
	4.5			*39 430	*39 430	*29 060	*29 060	*24 010	*24 010	*21 120	18 310							*12 050	*12 050	10.5
	3.0					*33 380	32 360	*26 420	23 240	*22 430	17 730	*14 940	13 990					*12 700	*12 700	10.6
	1.5			*27 520	*27 520	*36 370	30 900	*28 310	22 350	*23 510	17 190	*14 940	13 690					*13 760	13 580	10.6
	0 (Ground)			*33 700	*33 700	*37 490	30 010	*29 260	21 710	*23 980	16 770							*15 430	13 930	10.3
	-1.5	*26 990	*26 990	*45 340	*45 340	*36 810	29 590	*28 970	21 350	*23 440	16 550							*18 160	14 900	9.72
	-3.0	*40 220	*40 220	*44 330	*44 330	*34 240	29 550	*27 010	21 290									*21 360	16 880	8.88
-4.5	*48 300	*48 300	*37 130	*37 130	*29 030	*29 030	*21 990	21 620									*21 170	21 020	7.66	
H-boom 8.4 m H-arm 3.7 m Without Bucket Shoe 650 mm	9.0									*16 230	*16 230							*13 250	*13 250	10.1
	7.5									*16 900	*16 900	*16 090	14 380					*13 080	*13 080	10.9
	6.0					*24 980	*24 980	*20 610	*20 610	*18 110	18 020	*16 610	14 100					*13 220	12 180	11.5
	4.5					*29 740	*29 740	*23 170	22 690	*19 590	17 340	*17 420	13 720					*13 630	11 400	11.8
	3.0					*33 650	29 530	*25 530	21 600	*21 040	16 680	*18 260	13 320					*14 350	10 990	11.9
	1.5					*30 800	28 470	*27 200	20 790	*22 180	16 140	*18 950	12 970					*15 450	10 890	11.8
	0 (Ground)					*35 260	28 040	*27 970	20 310	*22 810	15 760	19 160	12 730					16 650	11 110	11.6
	-1.5			*23 250	*23 250	*34 890	27 960	*27 780	20 100	*22 750	15 580	*19 010	12 630					*17 620	11 730	11.1
	-3.0	*25 530	*25 530	*35 810	*35 810	*32 900	28 130	*26 590	20 140	*21 790	15 590							*17 950	12 910	10.4
	-4.5			*36 470	*36 470	*29 610	28 540	*24 090	20 420	*19 320	15 870							*18 080	15 080	9.37
-6.0			*29 470	*29 470	*24 210	*24 210	*19 190	*19 190									*17 580	*17 580	7.93	

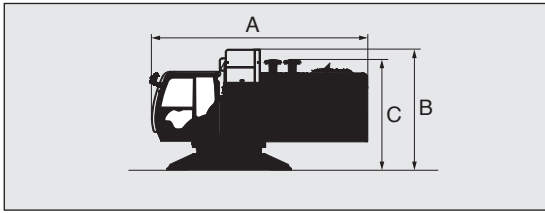
ZAXIS 890H

Rating over-front Rating over-side or 360 degrees Unit : kg

Conditions	Load point height m	Load radius														At max. reach				
		3.0 m		4.5 m		6.0 m		7.5 m		9.0 m		10.5 m		12 m		meter				
H-boom 8.4 m H-arm 3.7 m Without Bucket Shoe 650 mm	9.0									*16 230	*16 230							*13 250	*13 250	10.1
	7.5									*16 900	*16 900	*16 090	14 070					*13 080	*13 080	10.9
	6.0					*24 980	*24 980	*20 610	*20 610	*18 110	17 650	*16 610	13 800					*13 220	11 910	11.5
	4.5					*29 740	*29 740	*23 170	22 230	*19 590	16 970	17 330	13 410					*13 630	11 130	11.8
	3.0					*33 650	28 890	*25 530	21 140	*21 040	16 310	16 910	13 020					13 950	10 720	11.9
	1.5					*30 800	27 830	*27 070	20 320	*20 710	15 770	16 550	12 670					13 860	10 620	11.8
	0 (Ground)					*35 260	27 400	*26 550	19 840	*20 310	15 390	16 290	12 420					14 180	10 840	11.6
	-1.5			*23 250	*23 250	*34 890	27 330	26 320	19 630	20 120	15 210	16 180	12 320					14 990	11 440	11.1
	-3.0	*25 530	*25 530	*35 810	*35 810	*32 900	27 490	26 360	19 670	20 130	15 220							16 530	12 600	10.4
	-4.5			*36 470	*36 470	*29 610	27 900	*24 090	19 950	*19 320	15 500							*18 080	14 730	9.37
-6.0			*29 470	*29 470	*24 210	*24 210	*19 190	*19 190									*17 580	*17 580	7.93	

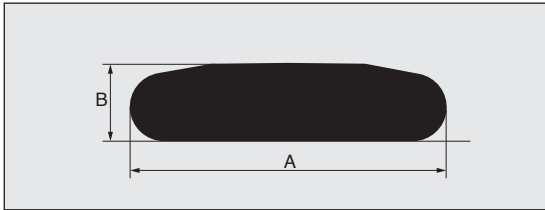
TRANSPORTATION

UPPERSTRUCTURE



	Overall width	Weight	A	B	C
ZAXIS 870 / ZAXIS 870LC	3 390 mm	27 400 kg	6 065 mm	3 370 mm	3 040 mm
ZAXIS 890H / ZAXIS 890LCH	3 390 mm	27 600 kg	6 065 mm		

SIDE FRAME

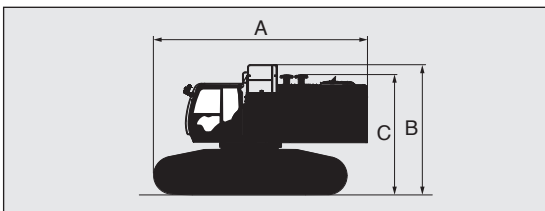


	Shoe width	Overall width	Weight	A	B
ZAXIS 870	650 mm	1 330 mm	11 200 kg	5 840 mm	1 500 mm
	750 mm	1 330 mm	11 500 kg		
ZAXIS 870LC	650 mm	1 330 mm	12 100 kg	6 360 mm	
	750 mm	1 330 mm	12 400 kg		
	900 mm	1 425 mm	12 900 kg		
ZAXIS 890H	650 mm	1 330 mm	11 400 kg	5 840 mm	
ZAXIS 890LCH	650 mm	1 330 mm	12 400 kg	6 360 mm	

COUNTERWEIGHT



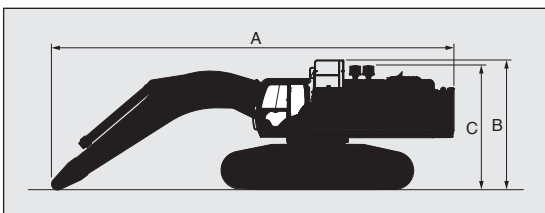
BASIC MACHINE (WITHOUT COUNTERWEIGHT)



	Shoe width	Overall width	Weight	A	B	C
ZAXIS 870	650 mm	3 480 mm	50 000 kg	6 770 mm	4 300 mm	3 960 mm
	750 mm	3 580 mm	50 700 kg			
ZAXIS 870LC	650 mm	3 480 mm	51 800 kg	7 080 mm		
	750 mm	3 580 mm	52 500 kg			
	900 mm	3 730 mm	53 400 kg			
ZAXIS 890H	650 mm	3 480 mm	50 700 kg	6 770 mm		
ZAXIS 890LCH	650 mm	3 480 mm	52 600 kg	7 080 mm		

Note: Undercarriage retracted

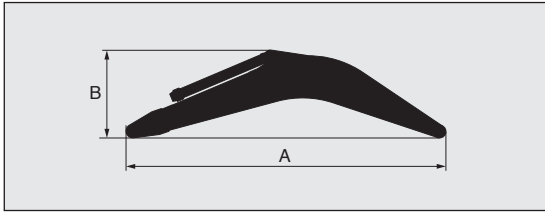
BASIC MACHINE FITTED WITH BOOM AND NO SIDEWALK (WITH COUNTER WEIGHT)



	Boom length	Shoe width	Overall width	Weight	A	B	C
ZAXIS 890LCH	7.1 m BE	650 mm	3 480 mm	75 400 kg	11 660 mm	4 300 mm	3 960 mm
	8.4 m H	650 mm	3 480 mm	75 900 kg	13 030 mm		

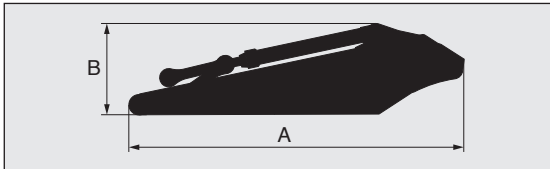
TRANSPORTATION

BOOM



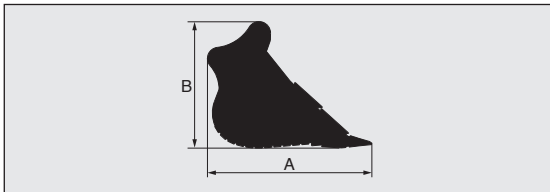
Boom	A	B	Overall width	Weight
7.1 m BE	7 470 mm	2 680 mm	1 440 mm	7 680 kg
8.4 m H	8 760 mm	2 510 mm	1 440 mm	8 210 kg
8.4 m	8 760 mm	2 510 mm	1 440 mm	8 210 kg

ARM



Arm	A	B	Overall width	Weight
2.95 m BE	4 430 mm	1 700 mm	840 mm	4 630 kg
3.7 m H	5 260 mm	1 460 mm	810 mm	4 490 kg
3.7 m	5 260 mm	1 400 mm	810 mm	4 310 kg
4.4 m	5 870 mm	1 400 mm	810 mm	4 640 kg

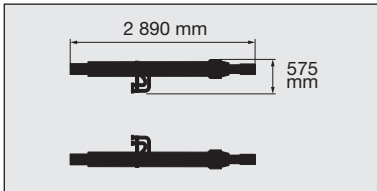
BUCKET



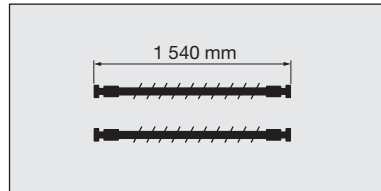
Bucket Capacity ISO heaped	A	B	Overall width	Weight
2.90 m ³	2 210 mm	1 910 mm	1 780 mm	2 700 kg
3.50 m ³	2 260 mm	1 910 mm	2 040 mm	2 950 kg
4.50 m ³	2 350 mm	2 020 mm	2 190 mm	3 970 kg
*1 3.50 m ³	2 270 mm	1 920 mm	1 890 mm	3 790 kg
*1 3.70 m ³	2 270 mm	1 920 mm	1 970 mm	3 900 kg
*1 5.00 m ³	2 510 mm	2 020 mm	2 260 mm	4 660 kg

*1 Rock bucket

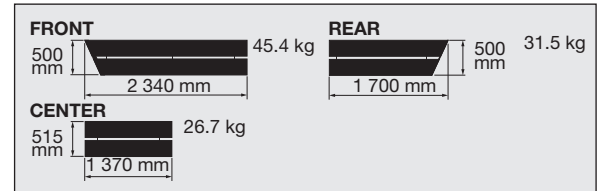
BOOM CYLINDERS 850 kg X 2 Overall height: 410 mm



HOSE OF BOOM CYLINDERS 9 kg X 2 / 13 kg X 2



LEFT SIDEWALK Overall height: 150 mm



EQUIPMENT

Standard and optional equipment may vary by country, so please consult your Hitachi dealer for details.

● : Standard equipment ○ : Optional equipment — : Not applicable

ENGINE	ZAXIS 870	ZAXIS 870LC	ZAXIS 890H	ZAXIS 890LCH
Alternator 50 A	●	●	●	●
Auto idle system	●	●	●	●
Cartridge-type engine oil filter	●	●	●	●
Cartridge-type fuel filter	●	●	●	●
Dry-type air double filter with evacuator valve(with air filter restriction switch for monitor)	●	●	●	●
Expansion tank	●	●	●	●
Fan guard	●	●	●	●
Fuel pre-filter	●	●	●	●
Isolation-mounted engine	●	●	●	●
Power mode control [H/P(High Power) PWR(Power) ECO(Economy)]	●	●	●	●
Pre-cleaner	●	●	●	●
Radiator, oil cooler with dust protective net	●	●	●	●
Solenoid fuel pump	●	●	●	●
Water separator	●	●	●	●

HYDRAULIC SYSTEM				
Accessories for breaker	—	—	○	○
Accessories for breaker & crusher	—	—	○	○
Accessories for 2 speed selector	—	—	○	○
Auto power lift	●	●	●	●
Boom mode selector system	●	●	●	●
Control valve with main relief valve	●	●	●	●
Drain filter	●	●	●	●
Engine speed sensing system	●	●	●	●
E-P control system	●	●	●	●
Extra port for control valve	●	●	●	●
Full-flow filter	●	●	●	●
Hose rupture valve	○	○	○	○
Pilot filter	●	●	●	●
Power boost	●	●	●	●
Quick warm-up system for pilot circuit	●	●	●	●
Shockless valve in pilot circuit	●	●	●	●
Suction filter	●	●	●	●
Work mode selector	●	●	●	●

CAB				
Additional fuse box	●	●	●	●
Adjustable armrests	●	●	●	●
All-weather sound suppressed steel cab	●	●	●	●
AM-FM radio	●	●	●	●
Ashtray	●	●	●	●
Auto control air conditioner	●	●	●	●
Auto-idle selector	●	●	●	●
AUX. terminal and storage	○	○	○	●
Cab : (Center pillar reinforced structure)	●	●	—	—
Front window on upper, lower and left side can be opened	●	●	—	—
OPG top guard fitted Level I (ISO10262) compliant cab	●	●	—	—
Round Tempered glass (green color) front window	●	●	—	—

	ZAXIS 870	ZAXIS 870LC	ZAXIS 890H	ZAXIS 890LCH
Cab : H/R cab	—	—	●	●
OPG lower front guard fitted Level II (ISO10262)	—	—	○	●
OPG top guard fitted Level II (ISO10262)	—	—	●	●
Laminated straight glass front window	—	—	●	●
Left side window can be opened	—	—	●	●
Cigarette lighter 24 V	●	●	●	●
Drink holder	●	●	●	●
Engine shut-off switch	●	●	●	●
Electric double horn	●	●	●	●
Evacuation hammer	●	●	●	●
Fire extinguisher bracket	○	○	○	○
Floor mat	●	●	●	●
Footrest	●	●	●	●
Front window washer	●	●	●	●
Glove compartment	●	●	●	●
Hot & cool box	●	●	●	●
Intermittent windshield wiper	●	●	●	●
Key cylinder light	●	●	●	●
LED room light with door countesy	●	●	●	●
Pilot control shut-off lever	●	●	●	●
Power outlet 12 V	○	○	○	●
Rain guard for cab	○	○	—	—
Rear tray	●	●	●	●
Retractable seat belt	●	●	●	●
Rubber radio antenna	●	●	●	●
Seat : Adjustable reclining air suspension with heater	○	○	○	●
Seat : Adjustable reclining mechanical suspension	●	●	●	○
Seat : Adjustable reclining mechanical suspension with heater	○	○	○	○
Short wrist control levers	●	●	●	●
Storage box	●	●	●	●
Sun visor (front)	○	○	○	○
Sun visor (side)	○	○	○	○
Transparent roof with slide curtain	—	—	●	●
2 speakers	●	●	●	●
6 fluid-filled elastic mounts	●	●	●	●

MONITOR SYSTEM				
Alarm buzzers: overheat, engine oil pressure	●	●	●	●
Alarms: overheat, engine warning, engine oil pressure, alternator, minimum fuel level, air filter restriction, work mode, etc	●	●	●	●
Display of meters: water temperature, hour, fuel rate, clock	●	●	●	●
Other displays: work mode, auto-idle, glow, operating conditions etc	●	●	●	●

EQUIPMENT

Standard and optional equipment may vary by country, so please consult your Hitachi dealer for details.

● : Standard equipment ○ : Optional equipment — : Not applicable

LIGHTS	ZAXIS 870	ZAXIS 870LC	ZAXIS 890H	ZAXIS 890LCH
4 working lights	●	●	●	●
2 cab lights	○	○	●	●
4 cab lights	○	○	○	○

UPPER STRUCTURE	ZAXIS 870	ZAXIS 870LC	ZAXIS 890H	ZAXIS 890LCH
Auto-grease lubricator (excluding surrounding area of bucket)	○	○	○	●
Batteries 170 Ah	●	●	●	●
Battery disconnect switch	●	●	●	●
Counterweight 13 300 kg	●	●	●	●
Electric fuel refilling pump with auto stop	○	○	○	○
Electrical grease pump with hose-reel	●	●	●	●
Fuel level float	●	●	●	●
Hydraulic oil level gauge	●	●	●	●
Ladder	●	●	●	●
Rear view camera	●	●	●	●
Rear view mirror (right & left side)	●	●	●	●
Side walk (cab side)	●	●	●	●
Swing parking brake	●	●	●	●
Tool box	●	●	●	●
Utility space	●	●	●	●
2.3 mm thickness undercover	●	●	—	—
4.5 mm thickness undercover	—	—	●	●

UNDERCARRIAGE	ZAXIS 870	ZAXIS 870LC	ZAXIS 890H	ZAXIS 890LCH
Bolt-on sprocket	●	●	●	●
Double grouser shoes 650 mm	●	●	●	●
Double grouser shoe with standard track guard 750 mm	○	○	—	—
Double grouser shoes with standard track guard 900 mm	—	○	—	—
Full track guard	—	—	●	●
Hydraulic track adjuster	●	●	●	●
Idler track guard	●	●	●	●
Reinforced track links with pin seals	●	●	●	●
Travel motor covers	●	●	●	●
Travel parking brake	●	●	●	●
Track undercover	○	○	○	○
Upper and lower rollers	●	●	●	●
2 track guard (each side)	●	●	—	—

Standard and optional equipment may vary by country, so please consult your Hitachi dealer for details.

Prior to operating this machine, including satellite communication system, in a country other than a country of its intended use, it may be necessary to make modifications to it so that it complies with the local regulatory standards (including safety standards) and legal requirements of that particular country. Please do not export or operate this machine outside the country of its intended use until such compliance has been confirmed. Please contact your Hitachi dealer in case of questions about compliance.

FRONT ATTACHMENTS	ZAXIS 870	ZAXIS 870LC	ZAXIS 890H	ZAXIS 890LCH
Arm 2.95 m BE	○	○	○	●
Arm 4.4 m	○	○	—	—
Boom 7.1 m BE	○	○	○	●
Boom 8.4 m and Arm 3.7 m	●	●	—	—
Boom 8.4 m H and Arm 3.7 m H	—	—	●	○
Centralized lubrication system	●	●	●	●
Damage prevention plate and square bars	—	—	●	●
Dirt seal on all bucket pins	●	●	●	●
Flanged pin	●	●	●	●
Monolithically cast bucket link A	●	●	●	●

MISCELLANEOUS	ZAXIS 870	ZAXIS 870LC	ZAXIS 890H	ZAXIS 890LCH
Anti-slip steps and handrails	●	●	●	●
Lockable fuel refilling cap	●	●	●	●
Lockable machine covers	●	●	●	●
Onboard information controller	●	●	●	●
Standard tool kit	●	●	●	●
Theft deterrent system	●	●	●	●
Travel direction mark on track frame	●	●	●	●

OTHERS	ZAXIS 870	ZAXIS 870LC	ZAXIS 890H	ZAXIS 890LCH
Global e-service	●	●	●	●

These specifications are subject to change without notice. Illustrations and photos show the standard models, and may or may not include optional equipment, accessories, customer installed and modified parts, optional parts and all standard equipment with some differences in color and features. Before use, read and understand the Operator's Manual for proper operation.

