

EX1200-7 SPECIFICATIONS

ENGINE

Model Cummins QSK23-C (FCO,T4F)
 Rated power @1 800 min⁻¹(rpm)
 ISO14396 567 kW (770 PS)
 Piston displacement 23.15 L

HYDRAULIC SYSTEM

Main pumps..... 3 variable-displacement, swash plate type
 axial piston pumps
 Max. oil flow 3 X 520 L/min
 Pressure setting 31.9 MPa (325 kgf/cm²)
 Pilot pump Gear pump
 Max. oil flow 56.0 L/min
 Fan pump Variable-displacement, swash plate type axial
 piston pumps
 Max. oil flow 130 L/min

UPPER STRUCTURE

Swing speed 5.2 min⁻¹ (rpm)
 Fuel tank capacity 1 700 L
 DEF tank capacity
 (T4F only) 145 L

UNDERCARRIAGE

Travel speeds High: 0 to 3.5 km/h
 Low: 0 to 2.4 km/h
 Maximum traction force ... 707 kN (72100 kgf)
 Gradeability 70% (35 degree) max.

WEIGHTS AND GROUND PRESSURE

Loading Shovel

Equipped with 6.5 m³ (ISO Heaped) bottom dump bucket

Shoe type	Shoe width	Operating weight	Ground pressure
Double grousers	700 mm	117 000 kg	148 kPa (1.51 kgf/cm ²)

Backhoe

EX1200-7: Equipped with 9.0 m boom, 3.6 m arm, and 5.2 m³ (ISO heaped) bucket

Shoe type	Shoe width	Operating weight	Ground pressure
Double grousers	700 mm	115 000 kg	145 kPa (1.48 kgf/cm ²)
	900 mm	116 000 kg	114 kPa (1.17 kgf/cm ²)

EX1200-7 BE-front: Equipped with 7.55 m BE-boom, 3.4 m BE-arm, and 7.0 m³ (ISO heaped) bucket

Shoe type	Shoe width	Operating weight	Ground pressure
Double grousers	700 mm	117 000 kg	148 kPa (1.51 kgf/cm ²)
	900 mm	118 000 kg	116 kPa (1.19 kgf/cm ²)

FCO configuration only

ATTACHMENTS LOADING SHOVEL

Bucket Capacity (ISO Heaped)

5.9 m³: Material density 10 000 kg/m³ or less 6.5 m³: Material density 1 800 kg/m³ or less

Bucket

Capacity	Width	No. of teeth	Weight	Type	Materials density
ISO 7546 (Heaped 2:1)					
5.9 m ³	2 510 mm	6	10 000 kg	●	1 800 kg/m ³ or less
6.5 m ³	2 700 mm	6	9 390 kg	◎	1 800 kg/m ³ or less

◎ Bottom dump type general purpose bucket ● Bottom dump type rock bucket

ATTACHMENTS BACKHOE

Bucket Capacity (ISO Heaped)

5.2 m³: Material density 1 800 kg/m³ or less 7.0 m³: Material density 1 800 kg/m³ or less

Bucket

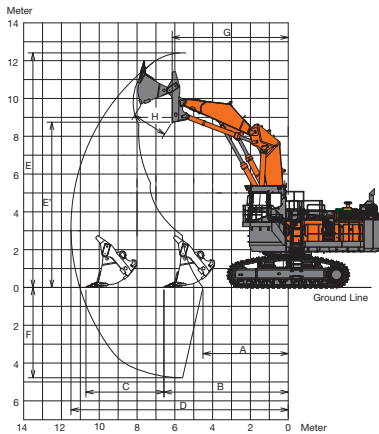
Capacity	Width		No. of teeth	Weight	Type	Materials density
	Without shroud	With shroud				
5.2 m ³	2 140 mm	2 140 mm	5	5 450 kg	◎	1 800 kg/m ³ or less
7.0 m ^{3*}	2 640 mm	2 640 mm	5	7 860 kg	◎	1 800 kg/m ³ or less

◎ General purpose bucket

* BE (Bulk Excavation) Front Attachment

WORKING RANGES

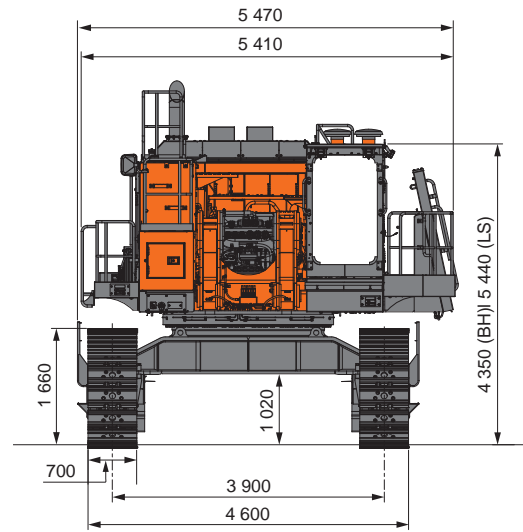
Loading Shovel



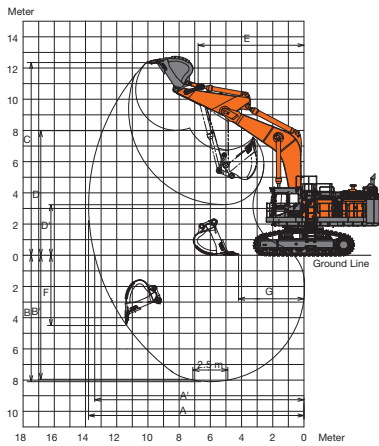
(Unit: mm)

Bucket capacity ISO 7456 (Heaped 2:1)		6.5 m ³
A	Min. digging distance	4 510
B	Min. level crowding distance	6 580
C	Level crowding distance	4 370
D	Max. digging reach	11 500
E	Max. cutting height	12 410
E'	Max. dumping height	8 750
F	Max. digging depth	4 780
G	Working radius at max. dumping height	6 140
H	Max. bucket opening width	1 880
Arm crowding force on ground		585 kN (59 700 kgf)
Bucket digging force		709 kN (72 300 kgf)

DIMENSIONS

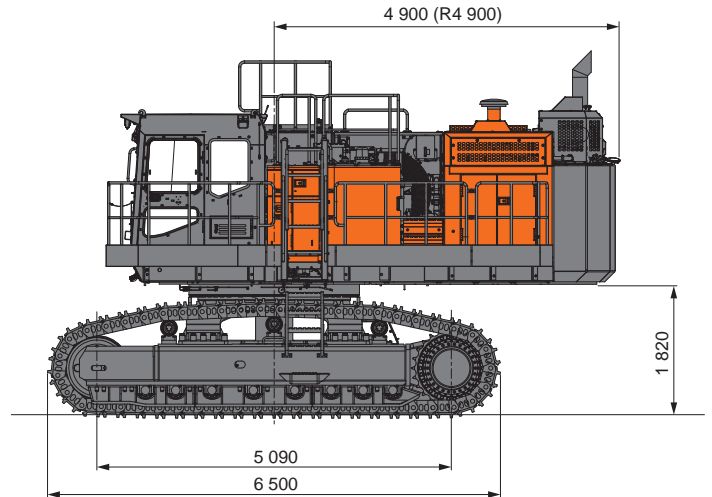


Backhoe



(Unit: mm)

Boom length	7.55 m BE-boom	9.0 m
Arm length	3.4 m BE-arm	3.6 m
A	Max. digging reach	13 790 15 350
A'	Max. digging reach (on ground)	13 410 15 010
B	Max. digging depth	8 100 9 380
B'	Max. digging depth (2.5m level)	7 960 9 260
C	Max. cutting height	12 340 13 460
D	Max. dumping height	8 010 9 080
D'	Min. dumping height	3 220 4 160
E	Min. swing radius	6 770 7 740
F	Max. vertical wall	4 440 6 450
G	Min. level crowding distance	4 210 5 790
Bucket digging force (ISO)*		569 kN 482 kN
		58 000 kgf 49 200 kgf
Arm crowd force (ISO)*		438 kN 430 kN
		44 700 kgf 43 900 kgf



*This is the calculated value at the loading point (Cutting Edge) conforming to ISO.

PASS MATCH

Best match: 4-6 passes

Potential match: 3-8 passes

Model		60t class truck	100t class truck	EH3500AC-3	EH4000AC-3	EH5000AC-3
EX1200-7	BH (7.0 m ³)	5				
	LD (6.5 m ³)	6				
EX1900-6	BH (12 m ³)	3	5			
	LD (11 m ³)	4	6			
EX2600-7	BH (17 m ³)		3	6	8	
	LD (15 m ³)		4	8		
EX3600-7	BH (22 m ³)		3	5	6	8
	LD (22 m ³)		3	5	7	
EX5600-7	BH (34 m ³)			3	4	5
	LD (29 m ³)			4	5	7
EX8000-6	BH (43 m ³)				3	4
	LD (40 m ³)			3	4	5

EQUIPMENT

STANDARD EQUIPMENT

Standard equipment may vary by country, so please consult your Hitachi dealer for details.

ENGINE

- Alternator belt auto-tensioner
- Auto-idle system
- Auto shut down control
- Cartridge-type engine oil filter
- Cartridge-type fuel filter (only for Tier 4 F)
- Coolant filter
- Dry-type air filter with clean dust cup
- Element -type fuel filter
- Eco control
- Fan guard
- Isolation-mounted engine
- Overheat prevention control
- Power mode switch control (ECO/PWR/HP)
- Radiator, air cooler and oil cooler with dust protective net
- SCR muffler (Tier 4 Final only)
- 140A alternator

HYDRAULIC SYSTEM

- Auto power lift control (BH)
- Boom mode selector system
- Control valve with main relief valve
- Engine speed sensing system
- E-P control system
- Full-flow filter
- HIOS IIIB (Human & Intelligent Operation System)
- Line filter (Delivery filter)
- Overheat prevention control
- Pilot filter
- Pump drain filter
- Reverse Fan system
- Suction filter
- Transmission oil cooling system

CAB

- Adjustable armrests
- Adjustable reclining seat
- All-weather sound-suppressed steel integrated cab
- Ashtray
- Auto controlled air conditioner* with defroster

- Auto-idle switch
- Auto-tuning AM-FM radio
- Cigarette lighter
- Digital clock
- Dome light linked to door
- Drink holder with hot and cool functions
- Electrical horn
- Engine control dial
- Evacuation hammer
- External input port (Aux terminal)
- Floor mat
- Footrest
- Large storage space
- Hot and cool box
- Intermittent wiper interlocked with front windshield washer
- Laminated glass windshield
- OPG top guard level II (ISO10262)
- Pilot control shut-off lever
- Reinforced/tinted (Green color) glass side and rear windows
- Seat belt
- Small caddy
- Speakers at the side
- 12 V power supply

MONITOR SYSTEMS

- Meters:
 - Auto-idle
 - DEF gauge (only for Tier 4 F)
 - Engine coolant temperature gauge
 - Fuel gauge
 - Hour meter
 - Indicator

DATA LOGGING SYSTEM

- DLU (Data-logging unit) continuously records performance of the engine and the hydraulic system.
The record can be down-loaded by PC. And for Fleet management system (Provided by Wenco etc.) connection**

LIGHTS

- 1 boom LED light
- 1 step LED light
- 2 cab LED lights
- 2 counterweight LED lights
- 2 working LED lights

UPPERSTRUCTURE

- Centralized lubrication system for swing bearing
- Control valves with main relief valves and port relief valves
- Electric grease gun with hose reel
- Rear view camera
- Slow return orifices and make up valves for cylinder circuits
- Undercover
- 18 000kg counterweight

UNDERCARRIAGE

- Hydraulic (Grease) track adjuster with shock absorbing recoils spring
- Spring-set/hydraulic-released disc type parking brake
- Track and idler guards
- Travel motor cover
- 700 mm shoe

MISCELLANEOUS

- Auto-lubrication system for front-attachment
 - BH, BE front : Except bucket arm joint pin
 - LD front : Include bucket arm joint pin
- Dual isolator switch
- Elevated cab (for Loading Shovel)
- ISO conforming stairs and handrails
- Slide ladder
- Slip resistance plate
- Wide side walk

OPTIONAL EQUIPMENT

Optional equipment may vary by country, so please consult your Hitachi dealer for details.

- Additional fuel filter
- Additional travel motion alarm
- Additional 1 boom LED light
- Additional 2 Cab LED lights
- Additional 1 Cab rear LED light
- Aerial angle
- Air suspension & heater seat
- Bucket auto lubrication system(BE front)
- CAB front guard
- Center frame under guard
- Cold weather package
- Communication system**
 - GPRS communication system
 - Satellitedata transmitting system

- Contamination sensor
- Electric fuel refilling pump device
- Fuel refilling piping
- Full track guard
- Hand rail on the oil cooler, Radiator, counter weight, air cleaner
- High altitude application***
- High cab kit (for Backhoe)
- Large sized air cleaner
- LC side frame
- Marine specification
- Pre-cleaner
 - Full view type
 - Top spin type

- Right and left side cameras
- Roll screens
- Standard tool kit
- Sun visor
- Swing alarm
- Travel motion alarm device
- USB supply
- WIU (Wireless Interface Unit)**
- 900 mm shoe (BH only)

*: Contains fluorinated greenhouse gases, Refrigerant type: HFC-134a, GWP: 1430, Amount: 1.25 kg, CO2e: 1.79 ton.

** : The availability of the system depends on licensing regulations in each country.

Please contact Hitachi dealer for more information.

***: Engineered on request

Before using a machine with a satellite communication system or telecommunication system, please make sure that the satellite communication system complies with local regulations, safety standards and legal requirements. If not so, please make modifications accordingly.

These specifications are subject to change without notice. Illustrations and photos show the standard models, and may or may not include optional equipment, accessories, and all standard equipment with some differences in color and features. Before use, read and understand the Operator's Manual for proper operation.