

ZX690 SPECIFICATIONS

ENGINE

Model	Isuzu GH-6WG1XKSA-02
Type	4-cycle water-cooled, direct injection
Aspiration	Turbocharged, intercooled
No. of cylinders	6
Rated power	
ISO 14396	H/P mode: 345 kW (463 HP) at 1 800 min ⁻¹ (rpm)
SAE J1349, net	H/P mode: (Without Fan) 345 kW (463 HP) at 1 800 min ⁻¹ (rpm)
Maximum torque	1 980 Nm (202 kgf m) at 1 500 min ⁻¹ (rpm)
Piston displacement	15.681 L
Bore and stroke	147 mm x 154 mm
Batteries	2 x 12 V / 170 Ah

HYDRAULIC SYSTEM

Hydraulic Pumps

Main pumps	2 variable displacement axial piston pumps
Maximum oil flow	2 x 489 L/min
Pilot pump	1 gear pump
Maximum oil flow	50 L/min

Hydraulic Motors

Travel	2 axial piston motors with parking brake
Swing	2 axial piston motors

Relief Valve Settings

Implement circuit	31.9 MPa (325 kgf/cm ²)
Swing circuit	29.4 MPa (300 kgf/cm ²)
Travel circuit	34.3 MPa (350 kgf/cm ²)
Pilot circuit	3.9 MPa (40 kgf/cm ²)
Power boost	34.3 MPa (350 kgf/cm ²)

Hydraulic Cylinders

	Quantity	Bore	Rod diameter
Boom	2	190 mm	130 mm
Arm	1	200 mm	140 mm
Bucket	1	180 mm	130 mm
Bucket BE	1	190 mm	130 mm

UPPERSTRUCTURE

Revolving Frame

D-section frame for resistance to deformation.

Swing Device

Axial piston motor with planetary reduction gear is bathed in oil. Swing parking brake is spring-set/hydraulic-released disc type.

Swing speed	9.0 min ⁻¹ (rpm)
Swing torque	194 kNm

Operator's Cab

ZAXIS 670LC:

Independent spacious cab, 1 025 mm wide by 1 675 mm high, The OPG top guard fitted Level I conforms to the related requirements of the International Organization Standardization(ISO)10262.

ZAXIS 690LCH (H/R cab):

Independent spacious cab, 1 025 mm wide by 1 817 mm high, The OPG top guard fitted Level II conforms to the related requirements of the International Organization Standardization(ISO)10262.

UNDERCARRIAGE

Tracks

Track shoes with double grousers made of induction-hardened rolled alloy. Heat-treated connecting pins with dirt seals. Hydraulic (grease) track adjusters with shock-absorbing recoil springs.

Numbers of Rollers and Shoes on Each Side

Upper rollers	3
Lower rollers	8
Track shoes	47
Idler track guard	1
Track guards	2 : ZAXIS 670LC Full track guard : ZAXIS 690LCH

Travel Device

Each track driven by axial piston motor through reduction gear for counter rotation of the tracks. Parking brake is spring-set/hydraulic-released disc type.

Automatic transmission system: High-Low.

Travel speeds	High : 0 to 5.2 km/h Low : 0 to 3.6 km/h
---------------------	---------------------------------------------

Maximum traction force ... 460 kN (46 900 kgf)

Gradeability

70% (35 degree) continuous

SERVICE REFILL CAPACITIES

Fuel tank	920.0 L
Engine coolant	70.0 L
Engine oil	57.0 L
Pump device	6.2 L
Swing device (each side)	10.5 L
Travel device (each side)	16.0 L
Hydraulic system	750.0 L
Hydraulic oil tank	380.0 L

WEIGHTS AND GROUND PRESSURE

Operating Weight and Ground Pressure

				ZAXIS 670LC		ZAXIS 690LCH	
Shoe type	Shoe width	Boom type	Arm type	kg	kPa (kgf/cm ²)	kg	kPa (kgf/cm ²)
Double	650 mm	BE 6.8 m	BE 2.9 m	67 700	102 (1.04)	69 100	104 (1.06)
		Bucket capacity		3.5 m ³		Rock bucket 4.0 m ³	
		7.8 m	3.6 m	66 900	100 (1.02)	68 200	102 (1.04)
		Bucket capacity		2.9 m ³		Rock bucket 2.9 m ³	
		7.8 m	4.2 m	67 000	101 (1.03)	-	-
		Bucket capacity		2.5 m ³		-	
	750 mm	BE 6.8 m	BE 2.9 m	68 100	89 (0.90)	-	-
		Bucket capacity		3.5 m ³		-	
		7.8 m	3.6 m	67 200	87 (0.89)	-	-
		Bucket capacity		2.9 m ³		-	
		7.8 m	4.2 m	67 400	88 (0.89)	-	-
		Bucket capacity		2.5 m ³		-	
	900 mm	BE 6.8 m	BE 2.9 m	69 100	75 (0.76)	-	-
		Bucket capacity		3.5 m ³		-	
		7.8 m	3.6 m	68 300	74 (0.75)	-	-
Bucket capacity		2.9 m ³		-			
7.8 m		4.2 m	68 400	74 (0.76)	-	-	
Bucket capacity		2.5 m ³		-			

BUCKET LIST

ZAXIS 670LC

Capacity	Width		No. of teeth	Weight	Recommendation		
	Without side cutters	With side cutters			BE-boom 6.8 m	Boom 7.8 m	
					BE-arm 2.9 m	Arm 3.6 m	Arm 4.2 m
2.50 m ³	1 480 mm	1 620 mm	5	2 150 kg	x	⊙	⊙
2.90 m ³	1 680 mm	1 820 mm	5	2 310 kg	x	⊙	x
3.50 m ³	1 800 mm	1 990 mm	5	2 980 kg	⊙	x	x
Applicable shoe type					Double grouser 650 mm		
					Double grouser 750 mm		
					Double grouser 900 mm		

⊙ Suitable for material with density of 1 800 kg / m³ or less

- Not applicable

x Can't be installed

ZAXIS 690LCH

Capacity	Width		No. of teeth	Weight	Recommendation		
	Without side cutters	With side cutters			BE-boom 6.8 m	H-boom 7.8 m	
					BE-arm 2.9 m	H-arm 3.6 m	
2.90 m ³	1 680 mm	1 680 mm	5	2 850 kg	x	●	
3.30 m ³	1 790 mm	1 790 mm	5	3 120 kg	●	x	
4.00 m ³	1 950 mm	1 970 mm	5	3 700 kg	●	x	
Applicable shoe type					Double grouser 650 mm		

● Heavy-duty service

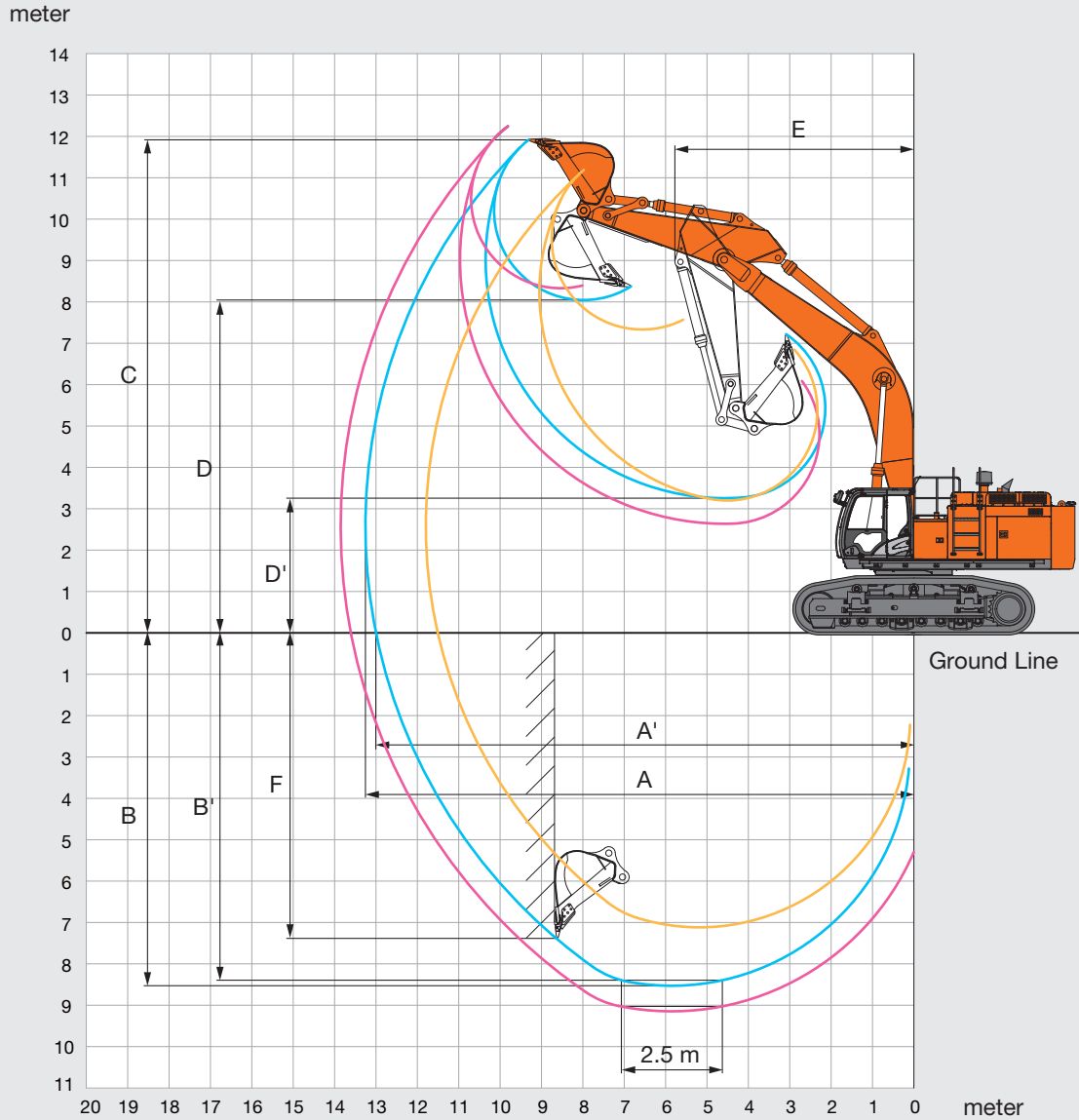
- Not applicable

x Can't be installed

SPECIFICATIONS

WORKING RANGES

ZAXIS 670LC



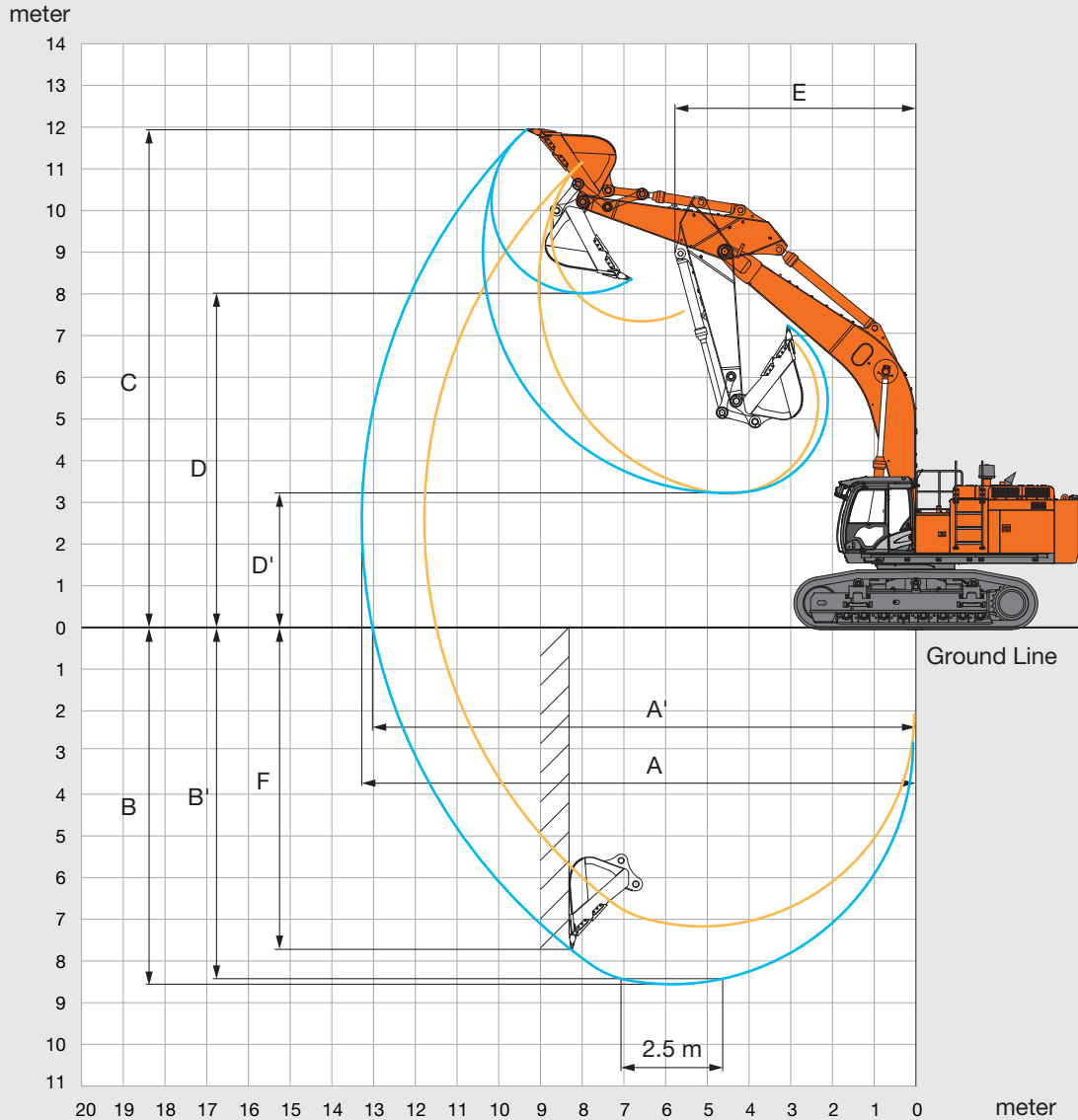
Unit: mm

	ZAXIS 670LC		
	BE-boom 6.8 m	Boom 7.8 m	
	BE-arm 2.9 m	Arm 3.6 m	Arm 4.2 m
A Max. digging reach	11 800	13 250	13 850
A' Max. digging reach (on ground)	11 500	13 000	13 610
B Max. Digging depth	7 120	8 530	9 150
B' Max. Digging depth for 2.5 m level	6 960	8 390	9 020
C Max. cutting height	11 190	11 920	12 240
D Max. dumping height	7 330	8 050	8 330
D' Min. dumping height	3 200	3 260	2 640
E Min. swing radius	5 240	5 780	5 760
F Max. vertical wall	5 280	7 380	8 180

Excluding track shoe lug

WORKING RANGES

ZAXIS 690LCH



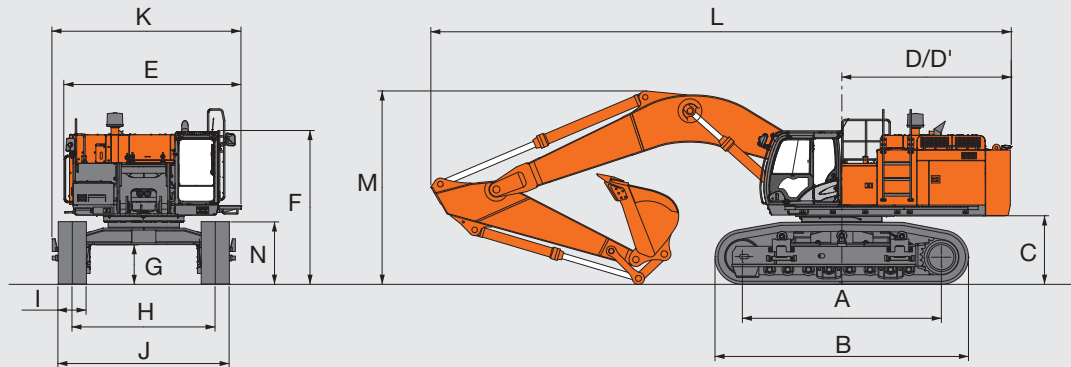
Unit: mm

	ZAXIS 690LCH	
	BE-boom 6.8 m	H-boom 7.8 m
	BE-arm 2.9 m	H-arm 3.6 m
A Max. digging reach	11 780	13 280
A' Max. digging reach (on ground)	11 490	13 030
B Max. Digging depth	7 170	8 560
B' Max. Digging depth for 2.5 m level	7 010	8 420
C Max. cutting height	11 150	11 940
D Max. dumping height	7 340	8 020
D' Min. dumping height	3 210	3 230
E Min. swing radius	5 240	5 780
F Max. vertical wall	5 050	7 720

Excluding track shoe lug

SPECIFICATIONS

DIMENSIONS



Unit: mm

Retractable gauge	ZAXIS 670LC	ZAXIS 690LCH
A Distance between tumbler	4 590	4 590
B Undercarriage length	5 840	5 840
¹ C Counterweight clearance	1 530	1 530
D Rear-end swing radius	4 020	4 020
D' Rear-end length	3 910	3 910
E Overall width upperstructure	4 090	4 090
F Overall height of cab	3 550	3 660
¹ G Min. ground clearance	860	860
H Track gauge : Extended / Retracted	3 300 / 2 830	3 300 / 2 830
I Track shoe width	650 / 750 / 900	650
J Undercarriage width with 650 mm shoe	3 950 / 3 480	3 950 / 3 480
:Extended / Retracted with 750 mm shoe	4 050 / 3 580	—
with 900 mm shoe	4 200 / 3 730	—
K Overall width	4 360	4 360
L Overall length	13 400	13 400
M Overall height of boom	4 460	4 460
N Track height	1 440	1 440

¹ Excluding track shoe lug

BUCKET AND ARM DIGGING FORCES

ZAXIS 670LC

	BE-boom 6.8 m	Boom 7.8 m	
	BE-arm 2.9 m	Arm 3.6 m	Arm 4.2 m
Bucket digging force* ISO	369 kN (37 700 kgf)	324 kN (33 100 kgf)	324 kN (33 100 kgf)
Bucket digging force*SAE : PCSA	332 kN (33 900 kgf)	290 kN (29 600 kgf)	290 kN (29 600 kgf)
Arm crowd force* ISO	306 kN (31 200 kgf)	255 kN (26 000 kgf)	231 kN (23 600 kgf)
Arm crowd force* SAE : PCSA	297 kN (30 300 kgf)	247 kN (25 200 kgf)	224 kN (22 900 kgf)

* At power boost

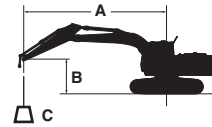
ZAXIS 690LCH

	BE-boom 6.8 m	H-boom 7.8 m
	BE-arm 2.9 m	H-arm 3.6 m
Bucket digging force* ISO	369 kN (37 700 kgf)	324 kN (33 100 kgf)
Bucket digging force*SAE : PCSA	332 kN (33 900 kgf)	286 kN (29 200 kgf)
Arm crowd force* ISO	306 kN (31 200 kgf)	255 kN (26 000 kgf)
Arm crowd force* SAE : PCSA	297 kN (30 300 kgf)	246 kN (25 100 kgf)

* At power boost

LIFTING CAPACITIES (Without bucket)

- Notes:
1. Ratings are based on ISO 10567.
 2. Lifting capacity does not exceed 75% of tipping load with the machine on firm, level ground or 87% full hydraulic capacity.
 3. The load point is the center-line of the bucket pivot mounting pin on the arm.
 4. *Indicates load limited by hydraulic capacity.
 5. 0 m = Ground.



A: Load radius
B: Load point height
C: Lifting capacity

For lifting capacities, subtract bucket and quick hitch weight from lifting capacities without bucket.

ZAXIS 670LC

Rating over-front Rating over-side or 360 degrees Unit : kg

Conditions	Load point height m	Load radius												At max. reach		
		3.0 m		4.5 m		6.0 m		7.5 m		9.0 m		10.5 m		meter		
Boom 7.8m Arm 3.6m Without Bucket Shoes 650mm	7.5									*13 620	13 490			*10 210	*10 210	9.92
	6.0							*15 780	*15 780	*14 280	13 160	*10 730	10 160	*10 250	10 090	10.5
	4.5					*21 680	*21 680	*17 580	16 760	*15 270	12 710	13 780	9 960	*10 540	9 320	10.9
	3.0					*24 830	21 970	*19 390	15 960	*16 330	12 240	13 510	9 700	*11 080	8 910	11.1
	1.5					*26 880	20 950	*20 810	15 300	16 650	11 830	13 260	9 460	*11 940	8 790	11.0
	0 (Ground)			*16 490	*16 490	*27 610	20 430	21 390	14 870	16 330	11 530	13 080	9 300	12 600	8 960	10.8
	-1.5			*25 200	*25 200	*27 220	20 260	21 160	14 660	16 170	11 390			13 390	9 500	10.3
	-3.0	*24 420	*24 420	*32 800	32 540	*25 760	20 330	*20 630	14 660	16 210	11 420			14 930	10 570	9.56
	-4.5	*35 650	*35 650	*28 790	*28 790	*22 970	20 650	*18 320	14 910					*15 400	12 650	8.48
-6.0			*22 390	*22 390	*17 820	*17 820							*14 830	*14 830	6.92	
Boom 7.8m Arm 4.2m Without Bucket Shoes 650mm	7.5									*12 620	*12 620	*9 290	*9 290	*8 650	*8 650	10.6
	6.0									*13 390	13 310	*12 660	10 290	*8 660	*8 660	11.2
	4.5					*20 000	*20 000	*16 490	*16 490	*14 460	12 820	*13 210	10 030	*8 860	8 560	11.5
	3.0					*23 350	22 270	*18 430	16 090	*15 620	12 300	13 540	9 730	*9 250	8 190	11.7
	1.5					*25 850	21 040	*20 060	15 330	*16 650	11 830	13 230	9 440	*9 880	8 070	11.6
	0 (Ground)					*27 120	20 320	*21 110	14 790	16 260	11 460	13 000	9 220	*10 820	8 200	11.4
	-1.5					*27 230	20 000	20 980	14 490	16 030	11 250	12 870	9 100	12 170	8 610	10.9
	-3.0			*32 770	31 840	*26 280	19 970	20 890	14 410	15 970	11 200			13 360	9 440	10.2
	-4.5			*30 800	*30 800	*24 110	20 190	*19 260	14 550	*15 250	11 370			*14 540	10 990	9.25
-6.0			*25 430	*25 430	*20 130	*20 130	*15 560	15 020					*14 410	14 150	7.85	
BE-Boom 6.8m BE-Arm 2.9m Without Bucket Shoes 650mm	7.5							*16 810	*16 810					*13 560	*13 560	8.22
	6.0					*19 710	*19 710	*17 550	17 480					*13 250	13 000	8.97
	4.5					*22 640	*22 640	*18 960	16 850	*17 010	12 690			*13 380	11 790	9.41
	3.0					*25 600	22 390	*20 520	16 170	17 200	12 350			*13 910	11 200	9.60
	1.5					*27 590	21 450	*21 730	15 600	16 870	12 050			*14 910	11 090	9.55
	0 (Ground)					*28 180	20 960	21 780	15 250	16 690	11 880			16 070	11 460	9.25
	-1.5			*35 530	33 060	*27 310	20 850	*21 550	15 150					17 600	12 500	8.68
	-3.0	*40 280	*40 280	*31 570	*31 570	*24 670	21 060	*18 920	15 380					*17 710	14 690	7.78
	-4.5			*24 650	*24 650	*18 660	*18 660							*16 670	*16 670	6.40

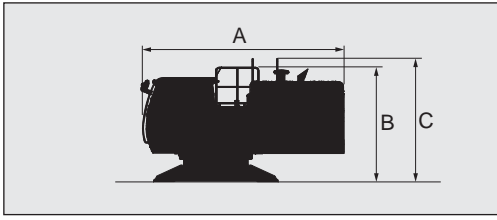
ZAXIS 690LCH

Rating over-front Rating over-side or 360 degrees Unit : kg

Conditions	Load point height m	Load radius												At max. reach		
		3.0 m		4.5 m		6.0 m		7.5 m		9.0 m		10.5 m		meter		
H-Boom 7.8m H-Arm 3.6m Without Bucket Shoes 650mm	7.5									*13 510	*13 510			*10 120	*10 120	9.92
	6.0							*15 670	*15 670	*14 180	13 200	*10 640	10 180	*10 160	10 100	10.5
	4.5					*21 570	*21 570	*17 470	16 830	*15 160	12 750	*13 800	9 980	*10 450	9 330	10.9
	3.0					*24 710	22 090	*19 270	16 030	*16 220	12 280	13 550	9 720	*10 990	8 920	11.1
	1.5					*26 760	21 070	*20 690	15 370	16 730	11 870	13 300	9 480	*11 860	8 800	11.0
	0 (Ground)			*16 400	*16 400	*27 490	20 550	*21 460	14 930	16 410	11 570	13 130	9 320	12 640	8 980	10.8
	-1.5			*25 110	*25 110	*27 090	20 370	21 270	14 730	16 250	11 420			13 430	9 520	10.3
	-3.0	*24 330	*24 330	*32 660	*32 660	*25 640	20 450	*20 510	14 730	16 280	11 450			14 990	10 600	9.56
	-4.5	*35 560	*35 560	*28 660	*28 660	*22 850	20 770	*18 200	14 980					*15 290	12 690	8.48
-6.0			*22 270	*22 270	*17 700	*17 700							*14 720	*14 720	6.92	
BE-Boom 6.8m BE-Arm 2.9m Without Bucket Shoes 650mm	7.5							*16 810	*16 810					*13 560	*13 560	8.22
	6.0					*19 710	*19 710	*17 550	*17 550					*13 250	13 140	8.97
	4.5					*22 640	*22 640	*18 960	17 010	*17 010	12 820			*13 380	11 920	9.41
	3.0					*25 600	22 620	*20 520	16 330	17 370	12 490			*13 910	11 320	9.60
	1.5					*27 590	21 680	*21 730	15 770	17 050	12 180			*14 910	11 210	9.55
	0 (Ground)					*28 180	21 190	22 010	15 420	16 860	12 010			16 240	11 590	9.25
	-1.5			*35 530	33 410	*27 310	21 070	*21 550	15 320					*17 760	12 630	8.68
	-3.0	*40 280	*40 280	*31 570	*31 570	*24 670	21 290	*18 920	15 550					*17 710	14 850	7.78
	-4.5			*24 650	*24 650	*18 660	*18 660							*16 670	*16 670	6.40

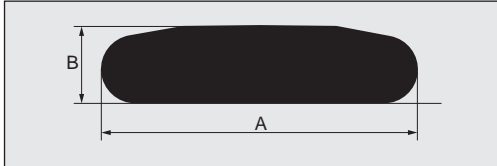
TRANSPORTATION

UPPERSTRUCTURE



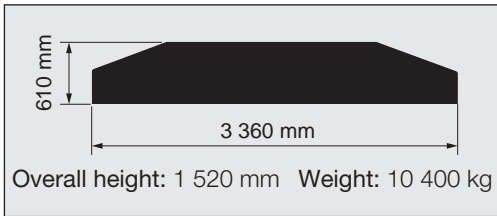
	Overall width	Weight	A	B	C
ZAXIS 670LC	3 510 mm	19 900 kg	5 220 mm	2 910 mm	3 140 mm
ZAXIS 690LCH		20 100 kg			

SIDE FRAME

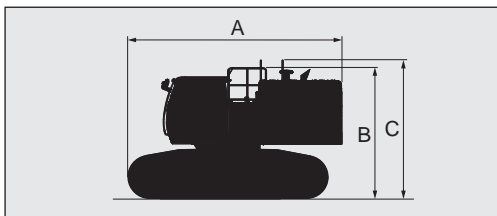


	Shoe width	Overall width	Weight	A	B
ZAXIS 670LC	650 mm	1 250 mm	10 400 kg	5 850 mm	1 450 mm
	750 mm	1 250 mm	10 700 kg		
	900 mm	1 320 mm	11 200 kg		
ZAXIS 690LCH	650 mm	1 250 mm	10 600 kg		

COUNTERWEIGHT



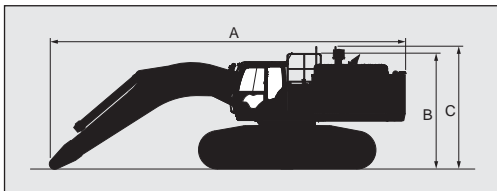
BASIC MACHINE (WITHOUT COUNTERWEIGHT)



	Shoe width	Overall width	Weight	A	B	C
ZAXIS 670LC	650 mm	3 480 mm	42 700 kg	6 240 mm	3 820 mm	4 050 mm
	750 mm	3 580 mm	43 100 kg			
	900 mm	3 730 mm	44 100 kg			
ZAXIS 690LCH	650 mm	3 480 mm	43 400 kg			

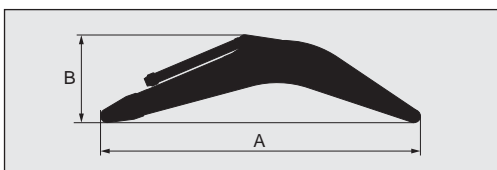
Notes: Undercarriage retracted.

BASIC MACHINE FITTED WITH BOOM AND NO SIDEWALK (WITH COUNTER WEIGHT)



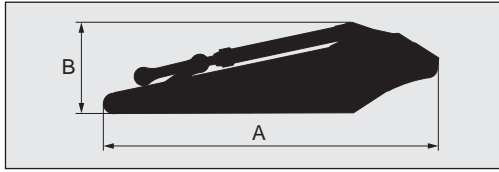
	Boom length	Shoe width	Overall width	Weight	A	B	C
ZAXIS 690LCH	6.8 m BE	650 mm	3 480 mm	61 200 kg	10 610 mm	3 820 mm	4 050 mm
	7.8 m H	650 mm	3 480 mm	61 700 kg	11 670 mm		

BOOM



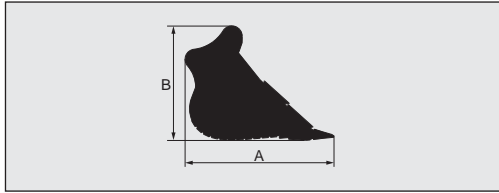
Boom	A	B	Overall width	Weight
6.8 m BE	7 140 mm	2 550 mm	1 390 mm	6 130 kg
7.8 m H	8 130 mm	2 330 mm	1 390 mm	6 580 kg
7.8 m	8 130 mm	2 330 mm	1 390 mm	6 560 kg

ARM



Arm	A	B	Overall width	Weight
2.9 m BE	4 370 mm	1 690 mm	800 mm	3 820 kg
3.6 m	5 110 mm	1 440 mm	800 mm	3 620 kg
3.6 m H	5 110 mm	1 440 mm	800 mm	3 750 kg
4.2 m	5 710 mm	1 390 mm	800 mm	3 930 kg

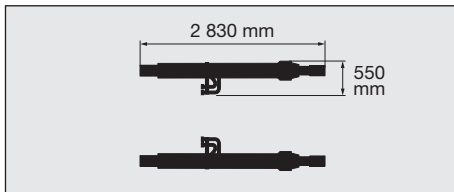
BUCKET



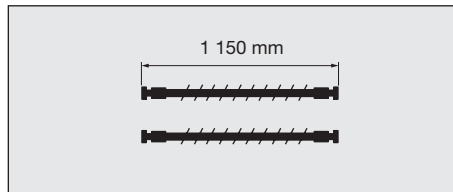
Bucket Capacity ISO heaped	A	B	Overall width	Weight
2.50 m ³	2 220 mm	1 810 mm	1 620 mm	2 150 kg
2.90 m ³	2 220 mm	1 810 mm	1 820 mm	2 310 kg
3.50 m ³	2 250 mm	1 890 mm	1 990 mm	2 980 kg
*1 2.90 m ³	2 290 mm	1 770 mm	1 680 mm	2 850 kg
*1 3.30 m ³	2 250 mm	1 890 mm	1 790 mm	3 120 kg
*1 4.00 m ³	2 360 mm	1 930 mm	1 900 mm	3 700 kg

*1 Rock Bucket

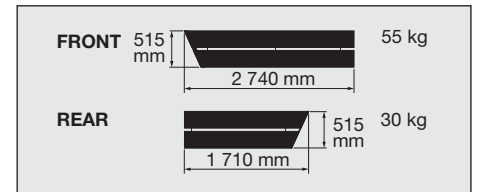
BOOM CYLINDERS 550 kg X 2
Overall height: 410 mm



HOSE OF BOOM CYLINDERS 7 kg X 2 / 10 kg X 2



LEFT SIDEWALK Overall height: 150 mm



EQUIPMENT

ENGINE	ZAXIS 670LC	ZAXIS 690LCH
Alternator 50 A	●	●
Auto idle system	●	●
Cartridge-type engine oil filter	●	●
Cartridge-type fuel filter	●	●
Dry-type air double filter with evacuator valve with air filter restriction switch for monitor	●	●
Expansion tank	●	●
Fan guard	●	●
Fuel pre-filter	●	●
Isolation-mounted engine	●	●
Power mode control [H/P(High Power) PWR(Power) ECO(Economy)]	●	●
Pre-cleaner	●	●
Radiator, oil cooler and intercooler with dust protective net	●	●
Solenoid fuel pump	●	●
Water separator	●	●

HYDRAULIC SYSTEM	ZAXIS 670LC	ZAXIS 690LCH
Accessories for breaker	—	○
Accessories for breaker & crusher	—	○
Accessories for 2 speed selector	—	○
Auto power lift	●	●
Boom mode selector system	●	●
Control valve with main relief valve	●	●
Drain filter	●	●
Engine speed sensing system	●	●
E-P control system	●	●
Extra port for control valve	●	●
Full-flow filter	●	●
Hose rupture valve	○	○
Pilot filter	●	●
Power boost	●	●
Quick warm-up system for pilot circuit	●	●
Shockless valve in pilot circuit	●	●
Suction filter	●	●
Work mode selector	●	●

● : Standard equipment ○ : Optional equipment — : Not applicable

CAB	ZAXIS 670LC	ZAXIS 690LCH
Additional fuse box	●	●
Adjustable armrests	●	●
All-weather sound suppressed steel cab	●	●
AM-FM radio	●	●
Ashtray	●	●
Auto control air conditioner	●	●
Auto-idle selector	●	●
AUX. terminal and storage	○	●
Cab : (Center pillar reinforced structure)	●	—
Front window on upper, lower and left side can be opened	●	—
OPG top guard fitted Level I (ISO10262) compliant cab	●	—
Round Tempered glass (green color) front window	●	—
Cab : H/R cab	—	●
OPG lower front guard fitted Level II (ISO10262)	—	●
OPG top guard fitted Level II (ISO10262)	—	●
Laminated straight glass front window	—	●
Left side window can be opened	—	●
Cigarette lighter 24 V	●	●
Drink holder	●	●
Engine shut-off switch	●	●
Electric double horn	●	●
Evacuation hammer	●	●
Fire extinguisher bracket	○	○
Floor mat	●	●
Footrest	●	●
Front window washer	●	○
Glove compartment	●	●
Hot & cool box	●	●
Intermittent windshield wiper	●	●
Key cylinder light	●	●
LED room light with door courtesy	●	●
Pilot control shut-off lever	●	●
Power outlet 12 V	○	●
Rain guard for cab	○	—
Rear tray	●	●
Retractable seat belt	●	●
Rubber radio antenna	●	●
Seat : Adjustable reclining air suspension with heater	○	●
Seat : Adjustable reclining mechanical suspension	●	○
Seat : Adjustable reclining mechanical suspension with heater	○	○
Short wrist control levers	●	●
Storage box	●	●
Sun visor (front)	○	○
Sun visor (side)	○	○
Transparent roof with slide curtain	—	●
2 speakers	●	●
6 fluid-filled elastic mounts	●	●

Standard and optional equipment may vary by country, so please consult your Hitachi dealer for details.

MONITOR SYSTEM	ZAXIS 670LC	ZAXIS 690LCH
Alarm buzzers: overheat, engine oil pressure	●	●
Alarms: overheat, engine warning, engine oil pressure, alternator, minimum fuel level, air filter restriction, work mode, etc	●	●
Display of meters: water temperature, hour, fuel rate, clock	●	●
Other displays: work mode, auto-idle, glow, operating conditions, etc	●	●

LIGHTS		
Additional working lights (boom right side)	○	○
2 cab lights	○	●
3 working lights	●	●
4 cab lights	○	○

UPPER STRUCTURE		
Auto-grease lubricator	○	●
Battery disconnect switch	●	●
Batteries 170 Ah	●	●
Counterweight 10 400 kg	●	●
Electric fuel refilling pump with auto stop	○	○
Electrical grease pump with hose-reel	●	●
Fuel level float	●	●
Hydraulic oil level gauge	●	●
Ladder	●	●
Rear view camera	●	●
Rear view mirror (right & left side)	●	●
Side walk (cab side)	●	●
Swing parking brake	●	●
Tool box	●	●
Utility space	●	●
2.3 mm thickness undercover	●	—
4.5 mm thickness undercover	—	●

UNDERCARRIAGE		
Bolt-on sprocket	●	●
Double grouser shoes 650 mm	●	●
Double grouser shoe with standard track guard 750 mm	○	—
Double grouser shoe with standard track guard 900 mm	○	—
Full track guard	—	●
Hydraulic track adjuster	●	●
Idler track guard	●	●
Reinforced track links with pin seals	●	●
Travel motor covers	●	●
Travel parking brake	●	●
Track undercover	○	○
Upper and lower rollers	●	●
2 track guard (each side)	●	—

● : Standard equipment ○ : Optional equipment — : Not applicable

FRONT ATTACHMENTS	ZAXIS 670LC	ZAXIS 690LCH
Arm 4.2 m	○	—
Arm 2.9 m BE	○	●
Boom 7.8 m and Arm 3.6 m	●	—
Boom 7.8 m H and Arm 3.6 m H	—	○
Boom 6.8 m BE	○	●
Centralized lubrication system	●	●
Damage prevention plate and square bars	—	●
Dirt seal on all bucket pins	●	●
Flanged pin	●	●
Monolithically cast bucket link A	●	●

MISCELLANEOUS		
Anti-slip steps and handrails	●	●
Lockable fuel refilling cap	●	●
Lockable machine covers	●	●
Onboard information controller	●	●
Standard tool kit	●	●
Theft deterrent system	●	●
Travel direction mark on track frame	●	●

OTHERS		
Global e-service	●	●